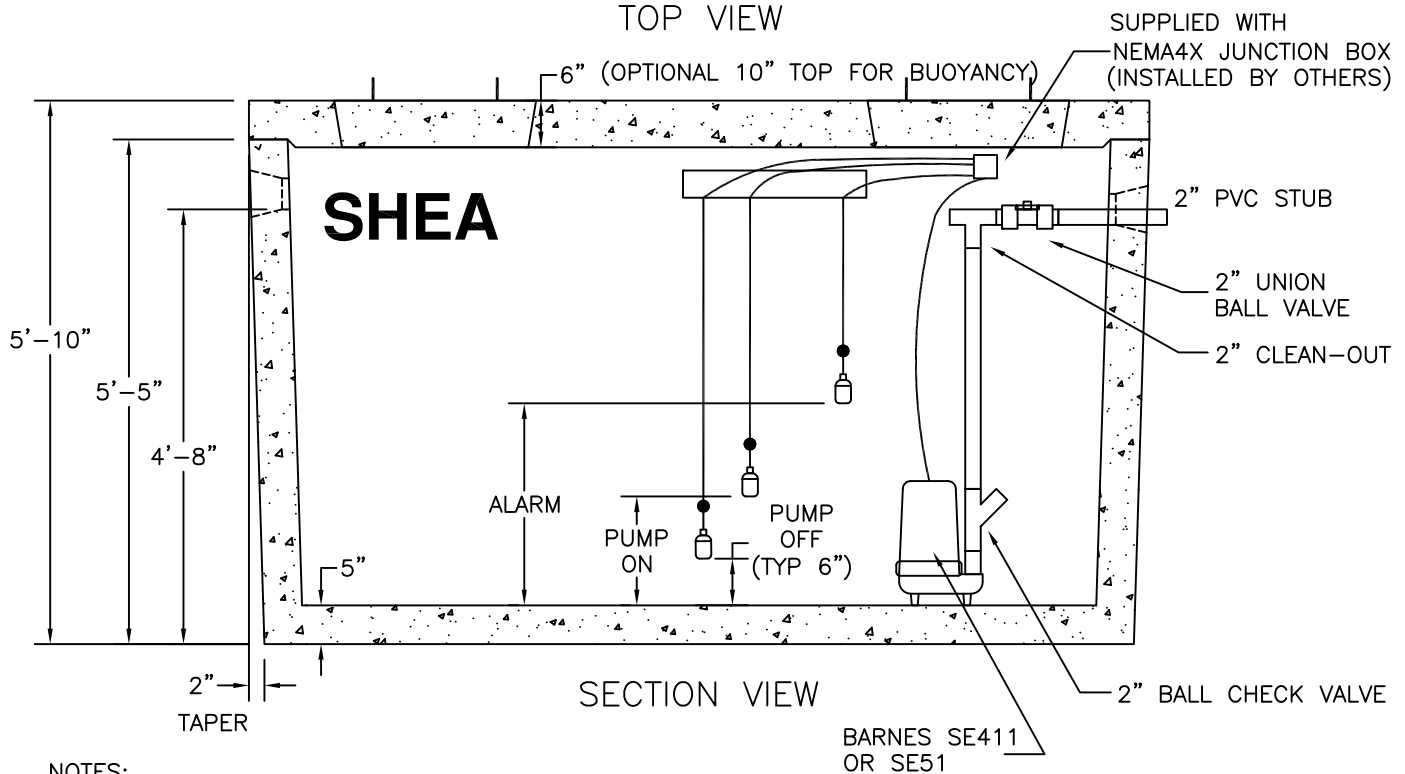


TOP VIEW



SECTION VIEW

NOTES:

1. CONCRETE: 4,000 PSI MINIMUM AFTER 28 DAYS.
2. CONSTRUCTION OF PUMP CHAMBER CONFORMS WITH DEP TITLE 5 REGS, 310 CMR, SECTION 15.226.
3. ALL REINFORCEMENT PER ASTM C1227.
4. JOINT SEALED WITH BUTYL RESIN.
5. DESIGNED FOR H-20 LOADING.
6. PUMPS, FLOATS AND PIPE INSTALLED IN CHAMBER. FLOAT ELEVATIONS SET UPON REQUEST.
7. SUPPLIED WITH PUMP CONTROL PANEL W/ALARM.
8. ADDITIONAL PUMPS & DUPLEX CONFIGURATION AVAILABLE.

WEIGHT:
 BOTTOM = 11,250#
 10" TOP = 5,960#
 6" TOP = 3,575#

ITEM NO.	PC1000P4S(D)	SE411
	PC1000P5S(D)	SE51



New England's Premier Precaster
 800-696-7432 (SHEA)
 www.sheaconcrete.com

1000 GALLON PUMP CHAMBER
 SIMPLEX PUMP PACKAGE

773 Salem Street—Wilmington, MA 153 Cranberry Hwy—Rochester, MA
 87 Haverhill Road—Amesbury, MA 160 Old Turnpike Rd—Nottingham, NH
 Mail to: PO Box 520—Wilmington, MA 01887

Page: C6.3

pcM1000PS.dwg

02/01/2013

