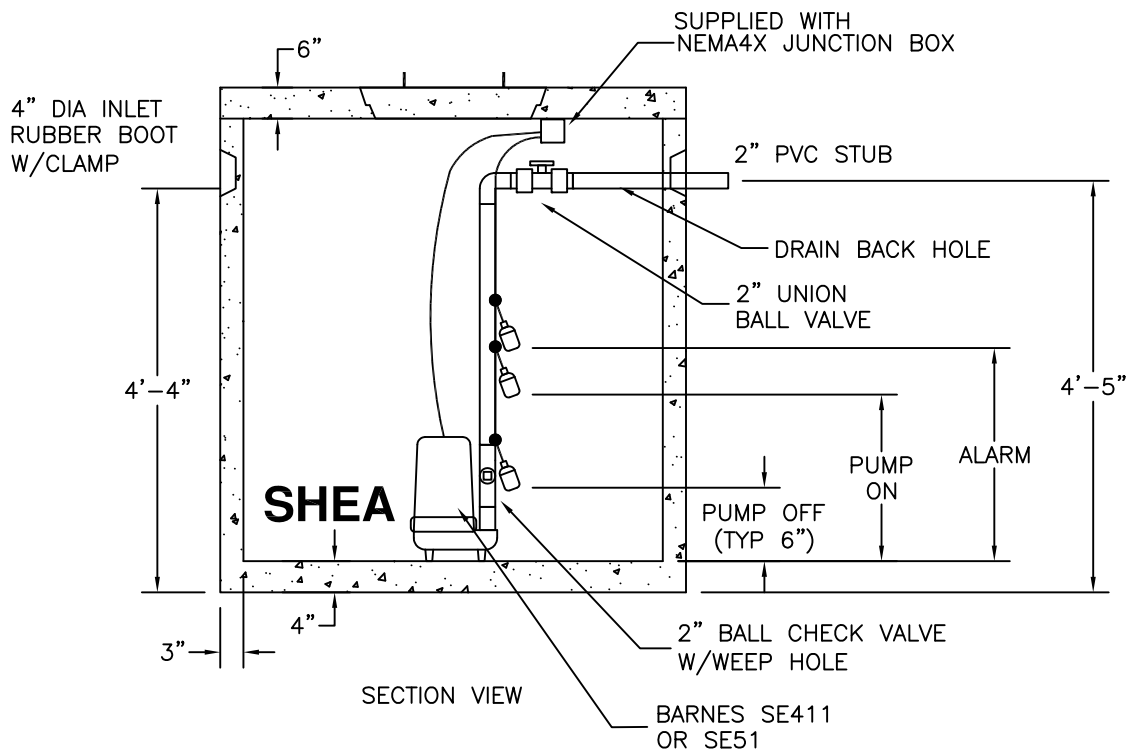


PLAN VIEW



SECTION VIEW

NOTES:

1. CONCRETE: 4,000 PSI MINIMUM AFTER 28 DAYS.
2. DESIGN CONFORMS WITH 310 CMR 15.000, DEP TITLE 5 REGS, FOR PUMP CHAMBERS.
3. ALL REINFORCEMENT PER ASTM C1227.
4. ALSO AVAILABLE IN H-20 LOADING.
5. JOINT SEALED WITH BUTYL RESIN.
6. PUMPS, FLOATS AND PIPE INSTALLED IN CHAMBER. FLOAT ELEVATIONS SET UPON REQUEST.
7. SUPPLIED NEMA1 PUMP CONTROL PANEL W/ALARM.



New England's Premier Precaster
 800-696-7432 (SHEA)
 www.sheaconcrete.com

500 GALLON PUMP CHAMBER
 DUPLEX PUMP PACKAGE

773 Salem Street—Wilmington, MA 153 Cranberry Hwy—Rochester, MA
 87 Haverhill Road—Amesbury, MA 160 Old Turnpike Rd—Nottingham, NH
 Mail to: PO Box 520—Wilmington, MA 01887

Page: C6.1

pc4x4DP.dwg

02/01/2013

