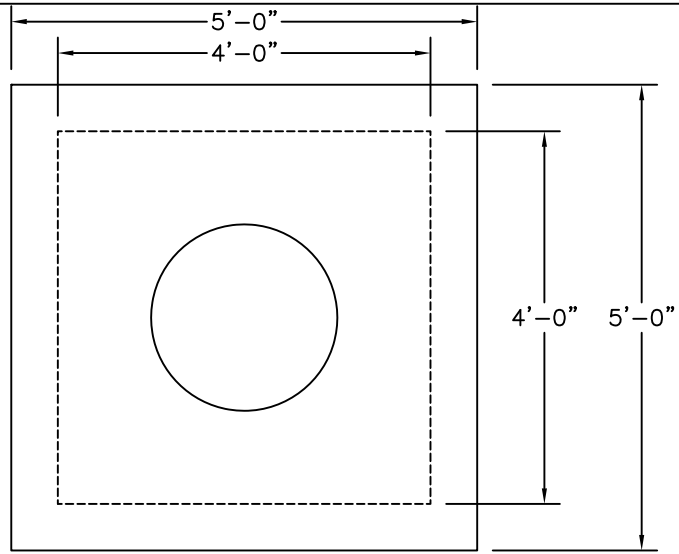


OPTIONAL TOP SLAB

| HEIGHT | ITEM NO | WEIGHT |
|--------|------------|--------|
| 0'-8" | MH4S-FT4SQ | 1,850# |



PLAN VIEW

TOP SECTION

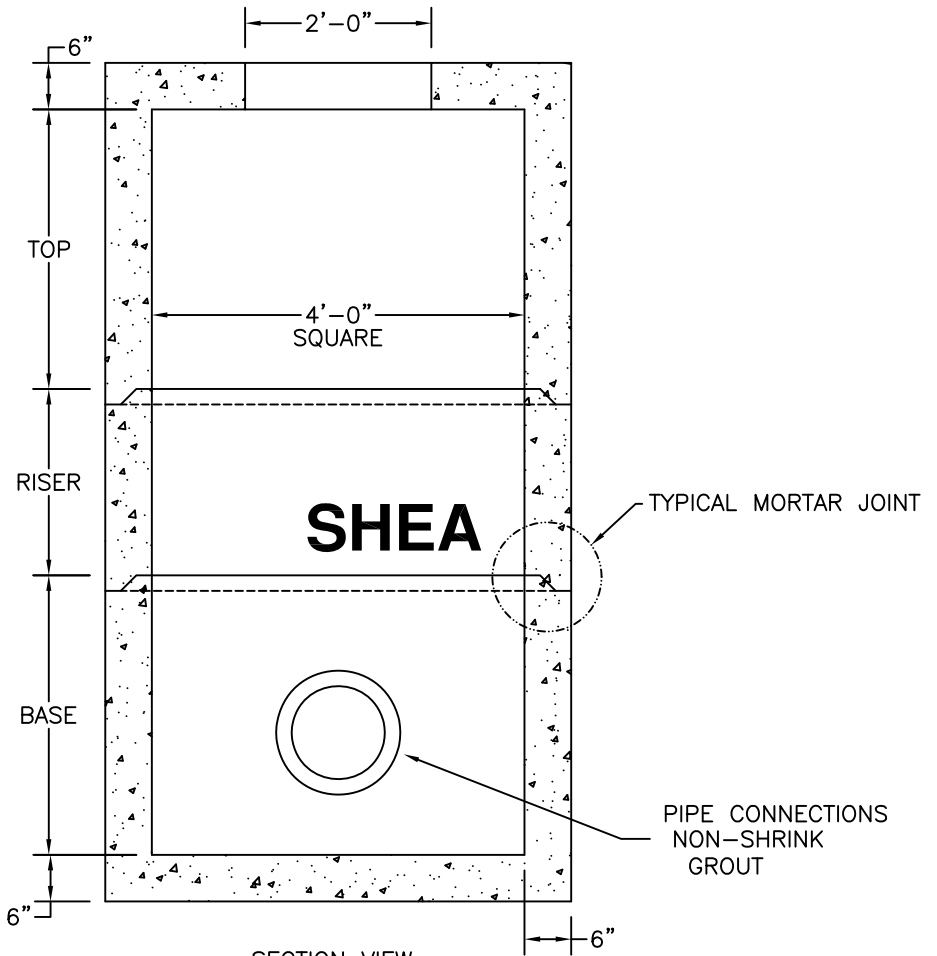
| HEIGHT | ITEM NO | WEIGHT |
|--------|-------------|--------|
| 1'-0" | MH4S-12T4SQ | 3,182# |
| 2'-0" | MH4S-24T4SQ | 4,514# |
| 3'-0" | MH4S-36T4SQ | 5,846# |
| 4'-0" | MH4S-48T4SQ | 7,178# |

RISER SECTION

| HEIGHT | ITEM NO | WEIGHT |
|--------|--------------|--------|
| 1'-0" | MH4S-12CS4SQ | 1,332# |
| 2'-0" | MH4S-24CS4SQ | 2,664# |
| 3'-0" | MH4S-36CS4SQ | 3,996# |
| 4'-0" | MH4S-48CS4SQ | 5,328# |

BASE SECTION

| HEIGHT | ITEM NO | WEIGHT |
|--------|-------------|--------|
| 2'-0" | MH4S-24S4SQ | 4,514# |
| 3'-0" | MH4S-36S4SQ | 5,846# |
| 4'-0" | MH4S-48S4SQ | 7,178# |
| 5'-0" | MH4S-60S4SQ | 8,510# |



SECTION VIEW

NOTES:

1. CONCRETE: 4,000 PSI MINIMUM AFTER 28 DAYS.
2. H-20 DESIGN LOADING PER AASHTO HS-20-44; ASTM C478 SPEC FOR "PRECAST REINFORCED CONCRETE MANHOLE SECTIONS."



New England's Premier Precaster
 800-696-7432 (SHEA)
 www.sheaconcrete.com

MANHOLE 4' X 4'
 SQUARE

773 Salem Street
 P.O. Box 520
 Wilmington, MA 01887

87 Haverhill Road
 P.O. Box 807
 Amesbury, MA 01913

160 Old Turnpike Road
 Nottingham, NH 03290

Page: G8

mh4x4.dwg

1/12/00

