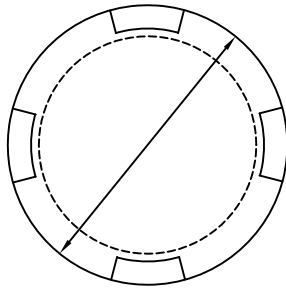
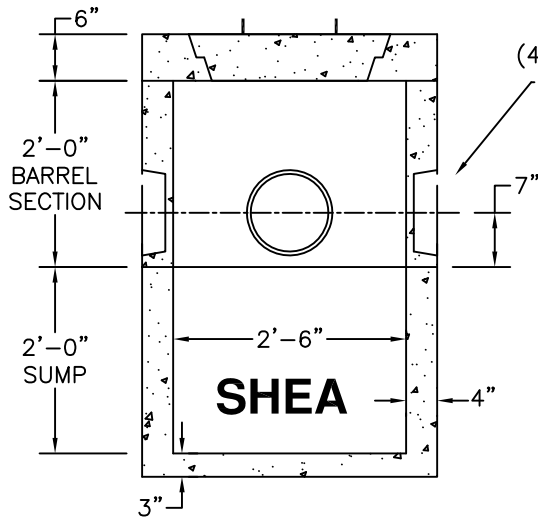


38" O.D.



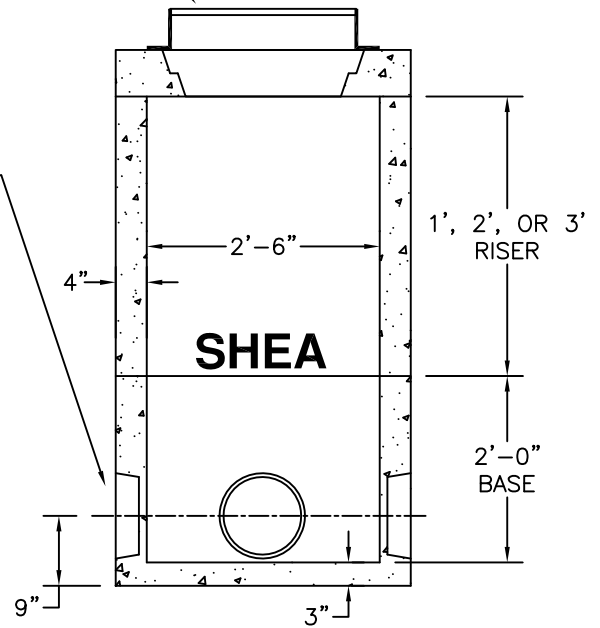
PLAN VIEW

OPTIONAL 24" DIA
CAST IRON FRAME
AND COVER/GRATE



SECTION VIEW

(4) 10" DIA KNOCKOUTS
90° APART



SECTION VIEW

NOTES:

1. CONCRETE: 5,000 PSI MINIMUM AFTER 28 DAYS.
2. DESIGNED FOR H-20 LOADING.

SECTIONS	ITEM NO	WEIGHT
1'-0" RISER	MC-MCB12RH	440#
2'-0" RISER	MC-MCB24RH	880#
3'-0" RISER	MC-MCB36RH	1320#
2'-0" BASE	MC-MCB24SH	1175#
2'-0" BARREL	MC-MCB24BSH	880#
38" COVER	MC-38WTCH	585#



New England's Premier Precaster
800-696-7432 (SHEA)
www.sheaconcrete.com

MANHOLE 30" DIA H-20
MINI CATCH BASIN

773 Salem Street
P.O. Box 520
Wilmington, MA 01887

87 Haverhill Road
P.O. Box 807
Amesbury, MA 01913

160 Old Turnpike Road
Nottingham, NH 03290

Page: G1

manh30inH20.dwg 11/30/2009

