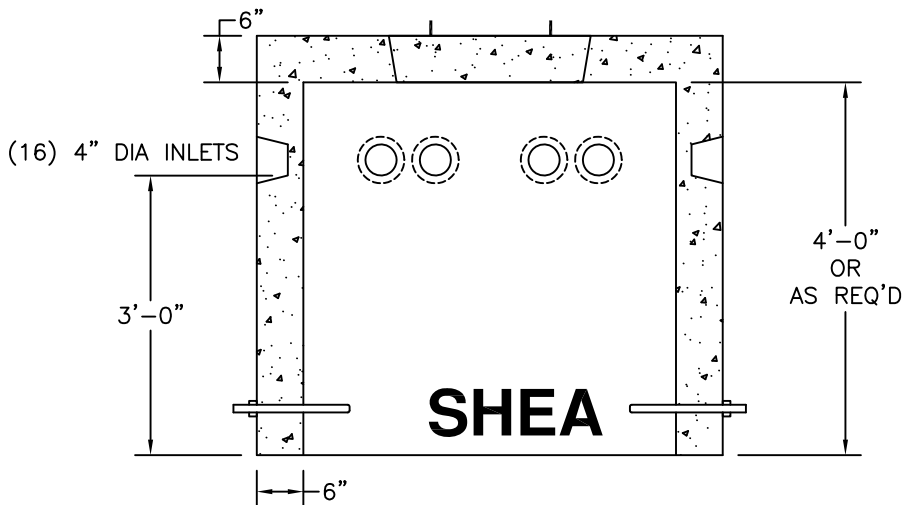


PLAN VIEW



SECTION VIEW

NOTES:

1. CONCRETE: 4,000 PSI MINIMUM AFTER 28 DAYS.
2. DESIGNED FOR H-20 LOADING.
3. BUTYL RESIN JOINT CONFORMS TO LATEST ASTM C990 SPECIFICATION.
4. 16 PLASTIC PIPE SEAL INLETS PER SECTION.
5. AVAILABLE WITH OR WITHOUT PULLING EYES.
6. OPTIONAL 30" OPENING AVAILABLE.
7. OTHER HEIGHTS ALSO AVAILABLE.
8. OPTIONAL BASE FLOOR AVAILABLE.

		WEIGHT
ITEM NO.	ELECTMAN	9,028#



*New England's Premier Precaster*  
 800-696-7432 (SHEA)  
 www.sheaconcrete.com

ELECTRIC MANHOLE  
 4' X 4' X 4'

773 Salem Street  
 P.O. Box 520  
 Wilmington, MA 01887

87 Haverhill Road  
 P.O. Box 807  
 Amesbury, MA 01913

160 Old Turnpike Road  
 Nottingham, NH 03290

Page: K2

electman4X4.dwg

4/3/01

