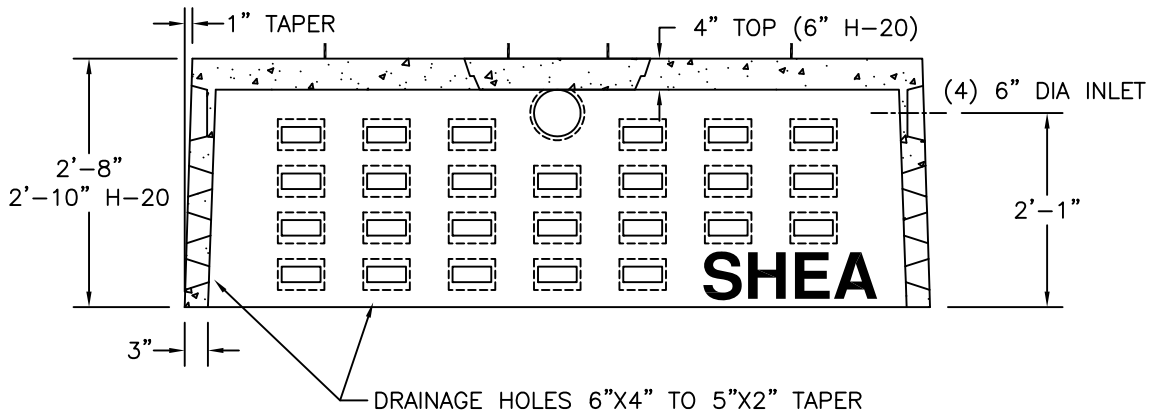


PLAN VIEW



SECTION VIEW

		WEIGHT
ITEM NO.	DW-SDW	5,142#
	DW-SDWH	6,065#

NOTES:

1. CONCRETE: 4,000 PSI MINIMUM AFTER 28 DAYS.
2. AVAILABLE IN H-20 LOADING.



New England's Premier Precaster
 800-696-7432 (SHEA)
 www.sheaconcrete.com

500 GALLON
 SHALLOW DRY WELL

773 Salem Street-Wilmington, MA 153 Cranberry Hwy-Rochester, MA
 87 Haverhill Road-Amesbury, MA 160 Old Turnpike Rd-Nottingham, NH
 Mail to: PO Box 520-Wilmington, MA 01887

Page: F2

dwr500.dwg

02/01/2013

