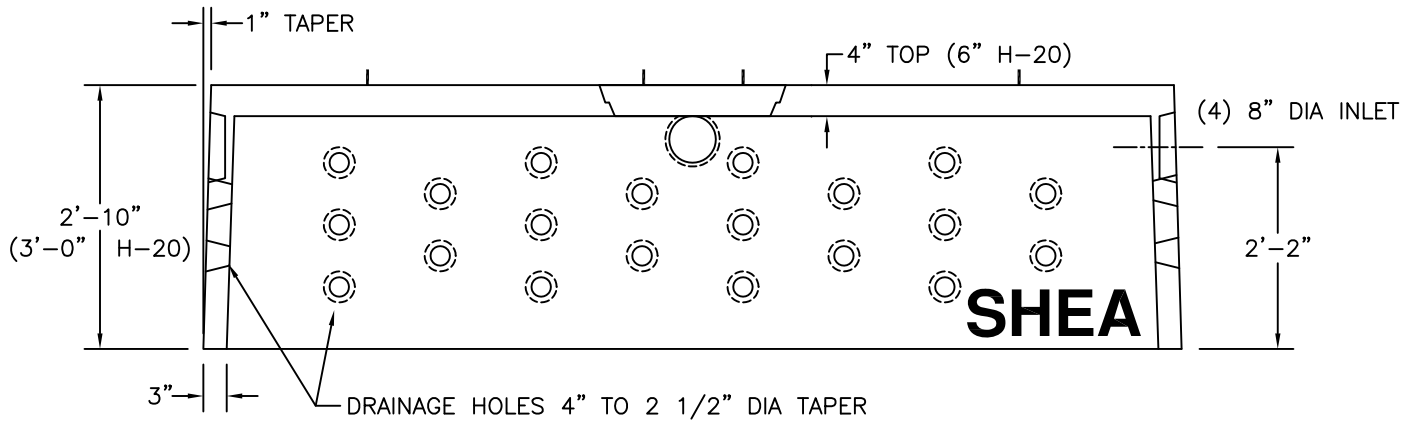


PLAN VIEW



SECTION VIEW

			WEIGHT
ITEM NO.	DW-JDW	STANDARD	5,650#
	DW-JDWH	H-20	7,100#

NOTES:

1. CONCRETE: 4,000 PSI MINIMUM AFTER 28 DAYS.
2. ALSO AVAILABLE IN H-20 LOADING.



*New England's Premier Precaster*  
 800-696-7432 (SHEA)  
 www.sheaconcrete.com

1000 GALLON  
 JUMBO DRY WELL

773 Salem Street  
 P.O. Box 520  
 Wilmington, MA 01887

87 Haverhill Road  
 P.O. Box 807  
 Amesbury, MA 01913

160 Old Turnpike Road  
 Nottingham, NH 03290

Page: F3

dwr1000.dwg

11/30/2009

