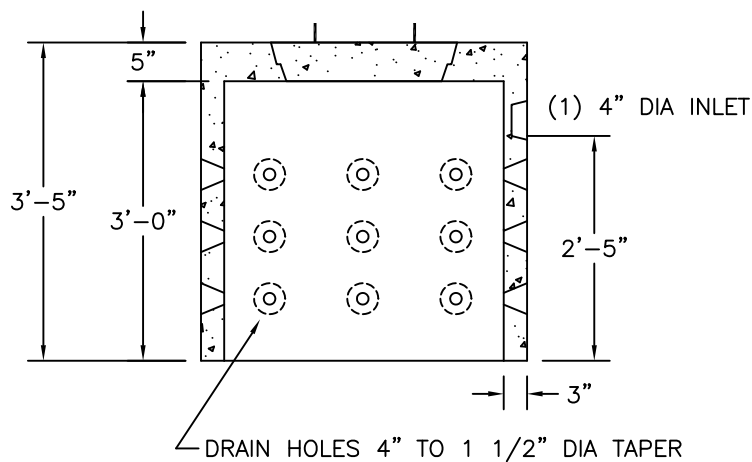
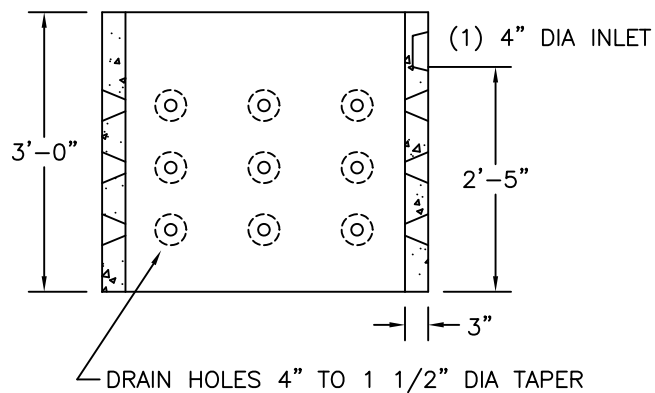


PLAN VIEW



SECTION VIEW



RISER ONLY
SECTION VIEW

NOTES:

1. CONCRETE: 4,000 PSI MINIMUM AFTER 28 DAYS.
2. CAPACITY INCREASES IN INCREMENTS OF 160 GALLONS FOR EVERY 3' SECTION ADDED.
3. BOTTOM PLATES AVAILABLE.

			WEIGHT
ITEM NO.	DW-MDWH	3' SECTION W/COVER (ONE PIECE)	1,404#
	DW-MDWHNC	3' SECTION NO COVER	1,048#



New England's Premier Precaster
800-696-7432 (SHEA)
www.sheaconcrete.com

MINI-DRY WELL
160 GALLONS

773 Salem Street
P.O. Box 520
Wilmington, MA 01887

87 Haverhill Road
P.O. Box 807
Amesbury, MA 01913

160 Old Turnpike Road
Nottingham, NH 03290

Page: F1

dwcmini.dwg

11/30/2009

