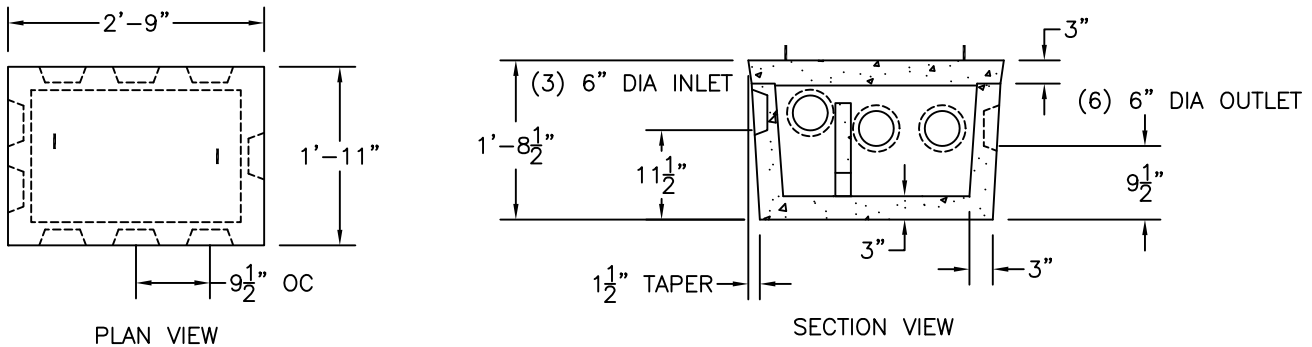


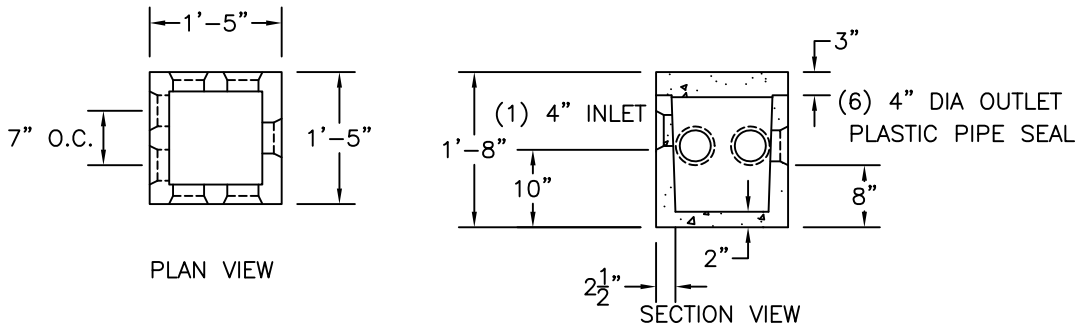
6 OUTLET STANDARD

		WEIGHT
ITEM NO.	B-6DB W/COVER	226#
	B-6DBC COVER ONLY	45#
	B-6DBR RISER SECTION	117#



6 OUTLET BAFFLE BOX

		WEIGHT
ITEM NO.	B-6DBB W/COVER	734#
	B-6DBBC COVER ONLY	184#



6 OUTLET H-20

		WEIGHT
ITEM NO.	B-6DBH W/COVER	432#
	B-6DBCH COVER ONLY	151#

NOTES:

1. CONCRETE: 4,000 PSI MINIMUM AFTER 28 DAYS.
2. DESIGN CONFORMS WITH 310 CMR 15.000, DEP TITLE 5 REGS, FOR DISTRIBUTION BOXES.



New England's Premier Precaster
 800-696-7432 (SHEA)
 www.sheaconcrete.com

DISTRIBUTION BOX
 6 OUTLET

773 Salem Street—Wilmington, MA 153 Cranberry Hwy—Rochester, MA
 87 Haverhill Road—Amesbury, MA 160 Old Turnpike Rd—Nottingham, NH
 Mail to: PO Box 520—Wilmington, MA 01887

Page: D2

db6out.dwg

11/23/2011

