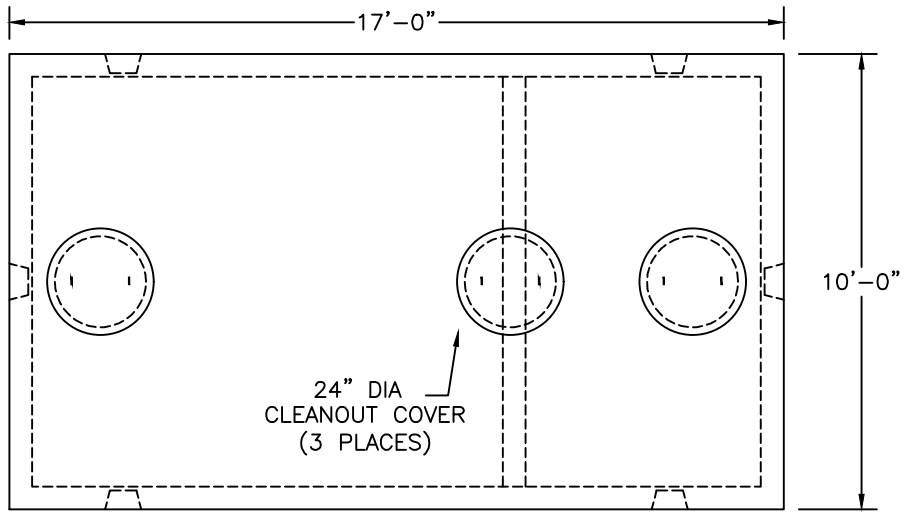
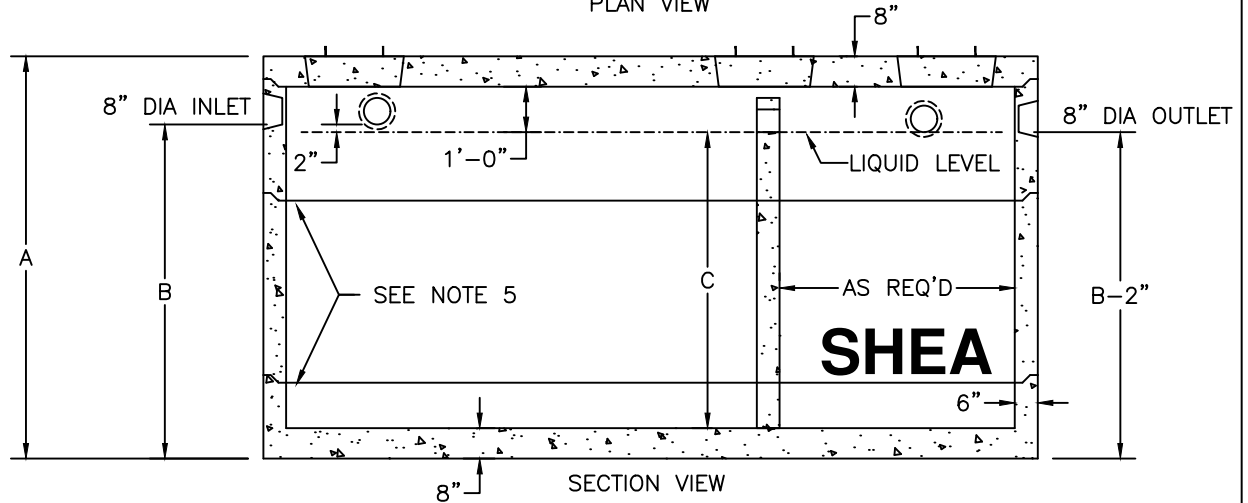


NOTES:

1. CONCRETE. 5,000 PSI MINIMUM AFTER 28 DAYS.
2. DESIGN CONFORMS WITH 310 CMR 15.00, DEP TITLE 5 REGS, FOR SEPTIC TANKS.
3. ALL REINFORCEMENT PER ASTM C1227.
4. DESIGNED FOR AASHTO HS-20 LOADING, COVER 1-5 FEET.
5. TONGUE AND GROOVE JOINT SEALED WITH BUTYL RESIN. INLET HEIGHT MAY INCREASE SLIGHTLY DUE TO THE BUTYL RESIN USED.
6. TEES AND BAFFLES SOLD SEPARATELY.
7. SPANNERS USED IN CENTER SECTIONS FOR TANKS GREATER THAN 7000 GALLONS.



PLAN VIEW



SECTION VIEW

GALLONS	A (HEIGHT)	B (INLET)	C (LIQUID)	TOTAL WEIGHT	RISER 1 SIZE	RISER 2 SIZE	RISER 3 SIZE	ITEM NO.
4,000	76"	58"	48"	55,366	48"	0	0	10X17-402C
5,000	88"	70"	60"	59,812	30"	30"	0	10X17-502C
5,500	92"	74"	64"	61,296	30"	34"	0	10X17-552C
6,000	96"	78"	68"	62,780	34"	34"	0	10X17-602C
6,500	100"	82"	72"	64,258	30"	42"	0	10X17-652C
7,000	106"	88"	78"	66,482	30"	48"	0	10X17-702C
7,500	112"	94"	84"	68,704	42"	42"	0	10X17-752C
8,000	118"	100"	90"	70,928	42"	48"	0	10X17-802C
8,500	124"	106"	96"	73,152	48"	48"	0	10X17-852C
9,000	130"	112"	102"	75,374	30"	30"	42"	10X17-902C
9,500	136"	118"	108"	77,598	30"	30"	48"	10X17-952C
10,000	140"	122"	112"	79,082	30"	34"	48"	10X17-1002C
10,500	146"	128"	118"	81,304	34"	42"	42"	10X17-1052C
11,000	152"	134"	124"	83,528	34"	42"	48"	10X17-1102C
11,500	158"	140"	130"	85,752	34"	48"	48"	10X17-1152C
12,000	162"	144"	134"	87,232	38"	48"	48"	10X17-1202C

ITEM SIZE WEIGHT

8" TOP	16,312#
21" BOTTOM	20,517#
30" RISER	11,116#
34" RISER	12,600#
38" RISER	14,080#
42" RISER	15,562#
48" RISER	17,786#

ALL RISERS HAVE SPANS

SHEA PRODUCT ID:  
SEE TABLE

PREPARED FOR:

FILE NAME: ctk10x172C.dwg

WEIGHT (LBS):  
SEE TABLE

DRAWN BY: ARO

DATE: 03/01/2018

PAGE: 18.2

