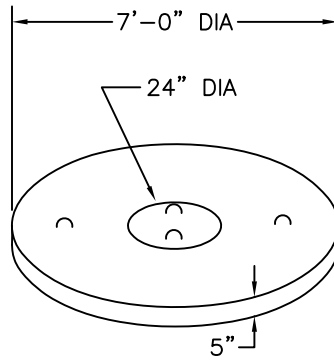
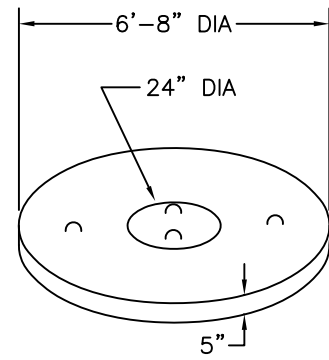


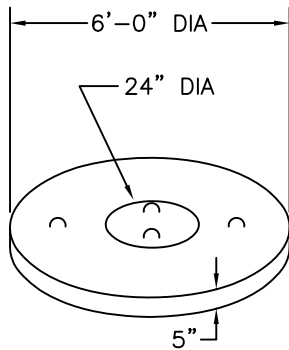
| ITEM NO. | STANDARD | WEIGHT |
|----------|----------|--------|
| C-88C    | STANDARD | 3,126# |
| C-88CH   | H-20     | 3,126# |



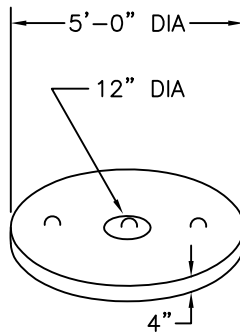
| ITEM NO. | WEIGHT |
|----------|--------|
| C-84C    | 2,373# |



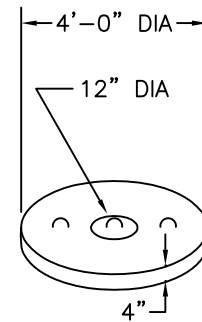
| ITEM NO. | STANDARD | WEIGHT |
|----------|----------|--------|
| C-80     | STANDARD | 2,585# |
| C-80H    | H.D.     | 2,585# |



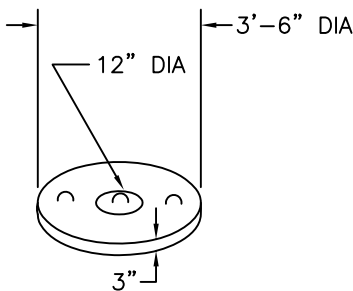
| ITEM NO. | STANDARD | WEIGHT |
|----------|----------|--------|
| C-72C    | STANDARD | 1,742# |
| C-72CH   | H.D.     | 2,791# |



| ITEM NO. | WEIGHT |
|----------|--------|
| C-60C    | 969#   |

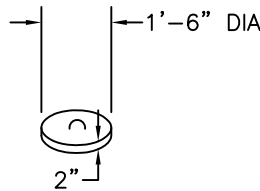


| ITEM NO. | WEIGHT |
|----------|--------|
| C-48C    | 620#   |



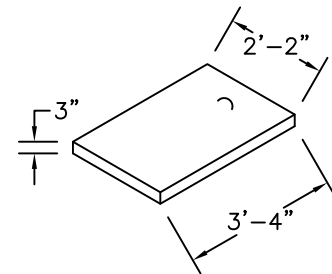
WELL TILE COVER  
WITH OR WITHOUT HAT

| ITEM NO. | WEIGHT |
|----------|--------|
| C-WTC    | 356#   |



CULVERT PIPE  
COVER

| ITEM NO. | WEIGHT |
|----------|--------|
| C-CPC    | 43#    |



AIR CONDITIONER PAD

| ITEM NO. | WEIGHT |
|----------|--------|
| C-ACP    | 267#   |

NOTES:

1. CONCRETE: 4,000 PSI MINIMUM AFTER 28 DAYS.



New England's Premier Precaster  
800-696-7432 (SHEA)  
www.sheaconcrete.com

COVERS

773 Salem Street  
P.O. Box 520  
Wilmington, MA 01887

87 Haverhill Road  
P.O. Box 807  
Amesbury, MA 01913

160 Old Turnpike Road  
Nottingham, NH 03290

Page: M4  
covers.dwg

1/12/00

