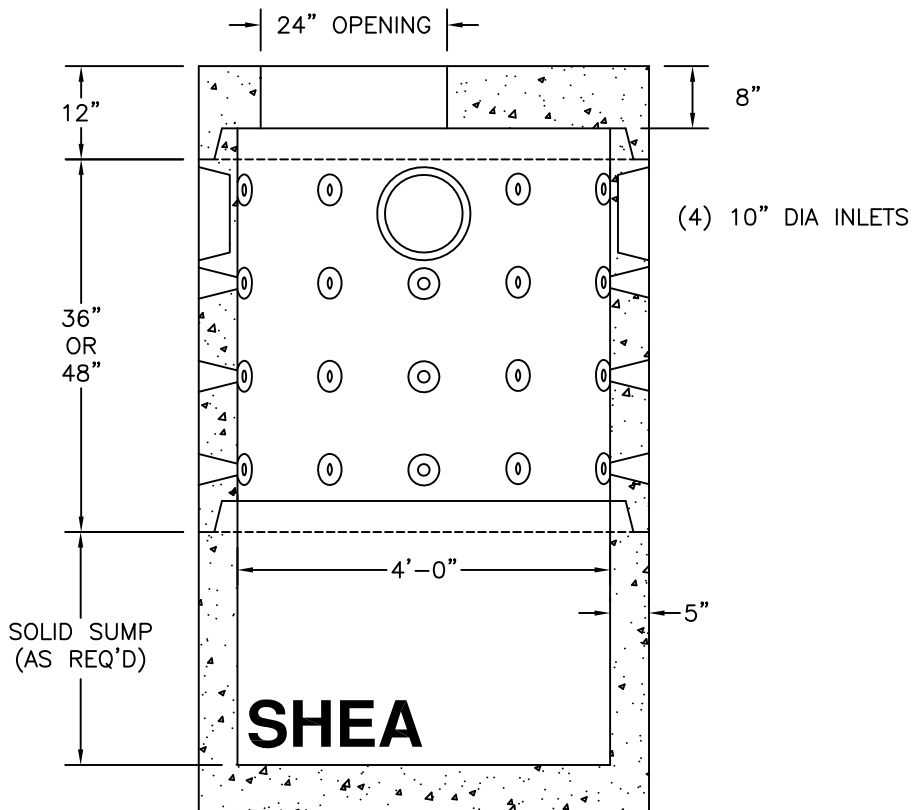


PLAN VIEW



SECTION VIEW

NOTES:

1. CONCRETE: 4,000 PSI MINIMUM AFTER 28 DAYS.
2. DESIGNED FOR H-20 LOADING.
3. OPTIONAL ECCENTRIC CONES AVAILABLE.
4. VOLUME: 94 GALLONS/VF



New England's Premier Precaster
 800-696-7432 (SHEA)
 www.sheaconcrete.com

LEACHING CATCH BASIN
 48" DIA-5" WALL

773 Salem Street
 P.O. Box 520
 Wilmington, MA 01887

87 Haverhill Road
 P.O. Box 807
 Amesbury, MA 01913

160 Old Turnpike Road
 Nottingham, NH 03290

Page: E4.1

cb48lch5w.dwg

11/30/09

