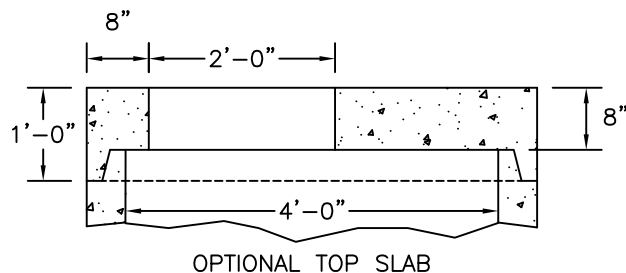


FLAT TOP

	ITEM NO	WEIGHT
1 HOLE	MH4-FT4ID	1,620#
2 HOLE	MH4-FT4ID2H	930#



ECCENTRIC CONE

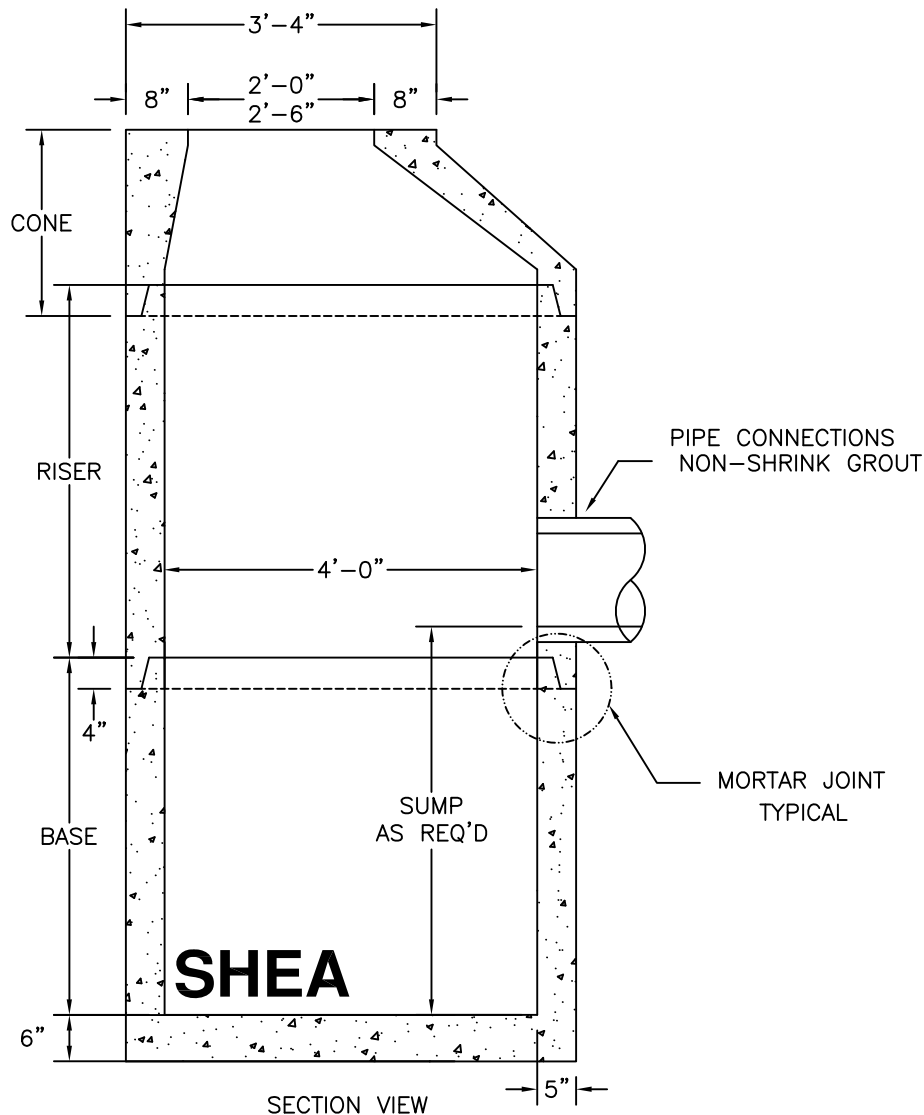
HEIGHT	ITEM NO	WEIGHT
1'-6"	MH4-18C4ID	1,335#
2'-0"	MH4-24C4ID	1,783#
2'-6"	MH4-30C4ID	2,231#
3'-0"	MH4-36C4ID	2,677#
4'-0"	MH4-48C4ID	3,425#

RISER SECTION

HEIGHT	ITEM NO	WEIGHT
1'-0"	MH4-12CS4ID	856#
2'-0"	MH4-24CS4ID	1,712#
2'-6"	MH4-30CS4ID	2,140#
3'-0"	MH4-36CS4ID	2,568#
4'-0"	MH4-48CS4ID	3,424#
5'-0"	MH4-60CS4ID	4,280#

BASE SECTION

HEIGHT	ITEM NO	WEIGHT
2'-0"	MH4-24S4ID	2,640#
2'-6"	MH4-30S4ID	3,067#
3'-0"	MH4-36S4ID	3,495#
3'-6"	MH4-42S4ID	3,922#
4'-0"	MH4-48S4ID	4,350#
4'-6"	MH4-54S4ID	4,777#
5'-0"	MH4-60S4ID	5,205#
5'-6"	MH4-66S4ID	5,633#
6'-0"	MH4-72S4ID	6,060#



NOTES:

1. CONCRETE: 4,000 PSI MINIMUM AFTER 28 DAYS.
2. REINFORCED STEEL CONFORMS TO LATEST ASTM A185 SPEC. 0.12 SQ. IN./LINEAL FT. AND 0.12 SQ. IN. (BOTH WAYS) BASE BOTTOM.
3. H-20 DESIGN LOADING PER AASHTO HS-20-44; ASTM C478 SPEC FOR "PRECAST REINFORCED CONCRETE MANHOLE SECTIONS."



New England's Premier Precaster
 800-696-7432 (SHEA)
 www.sheaconcrete.com

CATCH BASIN
 48" DIA

773 Salem Street
 P.O. Box 520
 Wilmington, MA 01887

87 Haverhill Road
 P.O. Box 807
 Amesbury, MA 01913

160 Old Turnpike Road
 Nottingham, NH 03290

Page: G2.3

cb48in.dwg

1/17/2006

