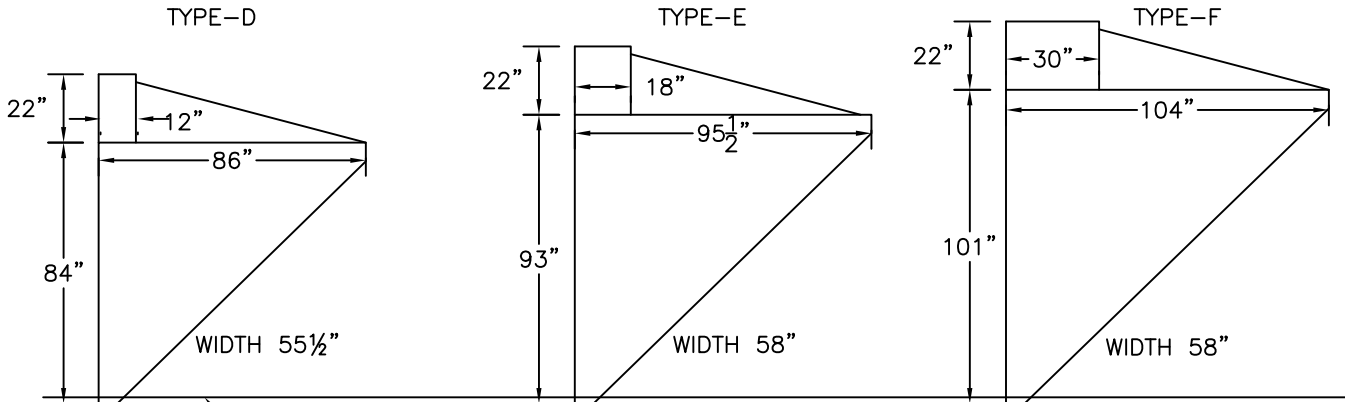
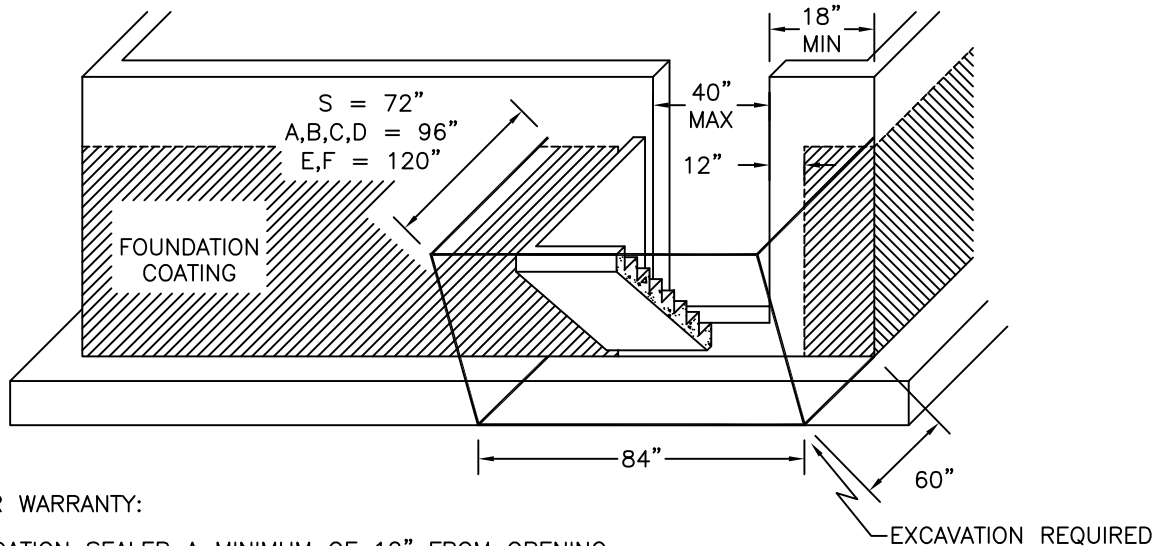


FINISHED BASEMENT FLOOR 2" ABOVE BASE OF CASTING



FINISHED BASEMENT FLOOR 2" ABOVE BASE OF CASTING



REQUIREMENTS FOR WARRANTY:

1. KEEP FOUNDATION SEALER A MINIMUM OF 12" FROM OPENING.
2. POUR A MINIMUM OF A 1 1/2" STEP IN BULKHEAD OPENING AS SHOWN.
3. KEEP FOUNDATION OPENING A MINIMUM OF 18" FROM FOUNDATION CORNER.
4. ROOF DRAINAGE MUST BE DIVERTED AWAY FROM BULKHEAD OPENING.
5. PROPERLY INSTALLED PERIMETER DRAINAGE TO DAYLIGHT REQUIRED.
6. BACK FILL MUST BE CLEAN GRAVEL WELL COMPACTED.
7. TOP OF CONCRETE CASTING MUST BE A MINIMUM OF 2" ABOVE GRADE. GRADE AROUND BULKHEAD MUST SLOPE AWAY FROM FOUNDATION.

HOW TO ORDER:  
 DETERMINE DIMENSION FROM TOP OF FOOTING TO PROPOSED FINISHED GRADE. REFER TO TYPES AVAILABLE AND SELECT SIZE TO ASSURE TOP OF STAIRWELL WILL BE 2" TO 6" ABOVE FINISHED GRADE.



New England's Premier Precaster  
 800-696-7432 (SHEA)  
 www.sheaconcrete.com

BULKHEAD INSTALLATION RECOMMENDATIONS

773 Salem Street  
 P.O. Box 520  
 Wilmington, MA 01887

87 Haverhill Road  
 P.O. Box 807  
 Amesbury, MA 01913

160 Old Turnpike Road  
 Nottingham, NH 03290

Page: A4.2

bhinstal.dwg

12/01/2009

