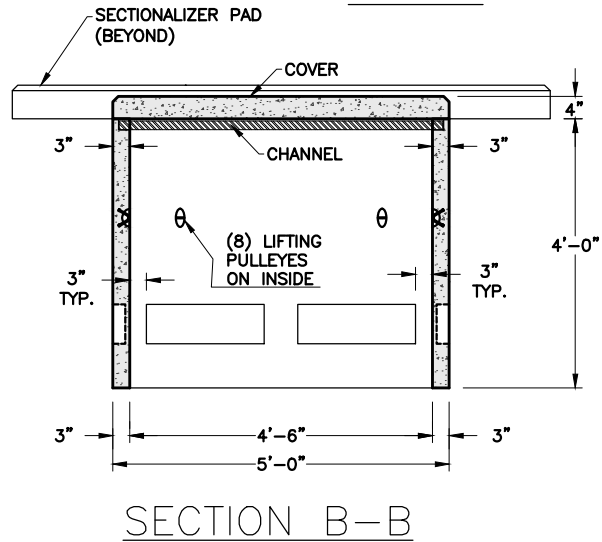
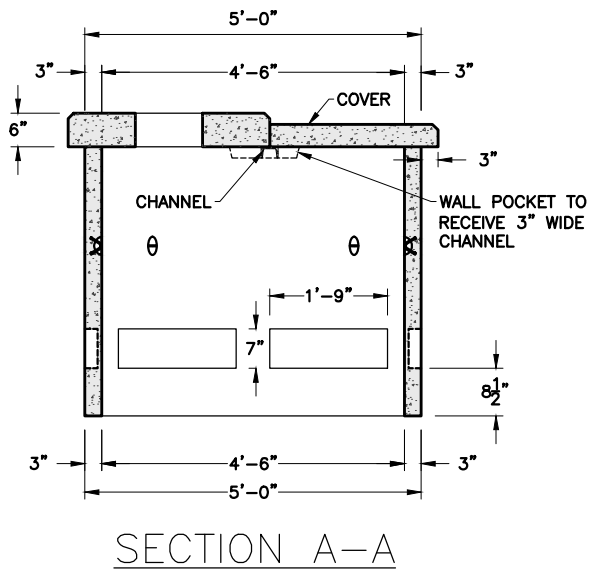
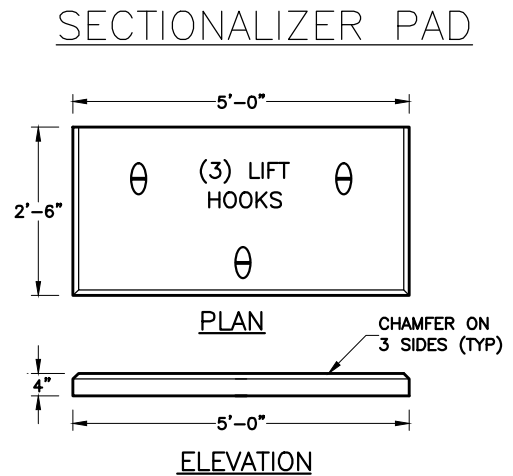
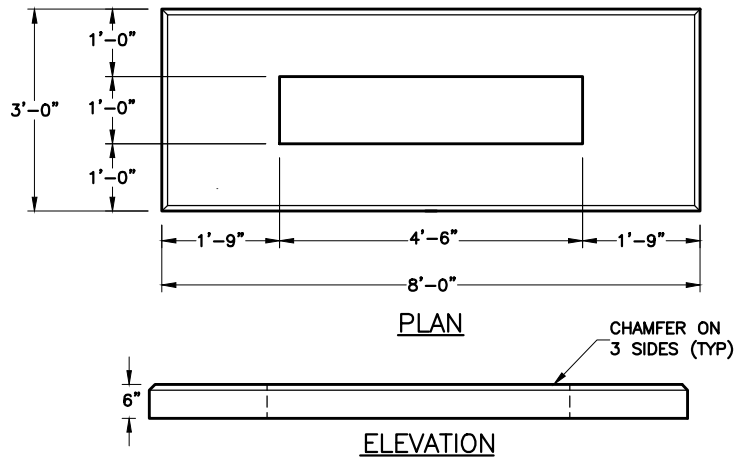
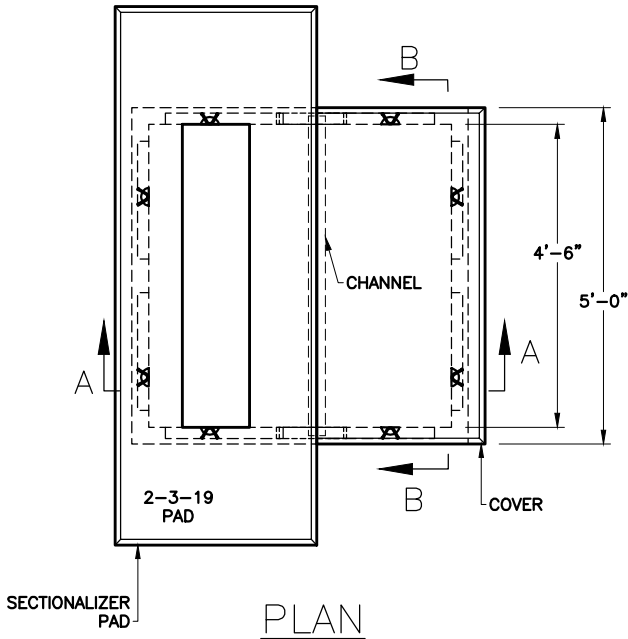


UNITIL 2-3-16 THREE PHASE
 SECTIONALIZING PAD AND CABINET



- NOTES:
 1. CONCRETE MINIMUM STRENGTH 4,000 PSI AFTER 28 DAYS.

SHEA PRODUCT ID: U2-3-16

FILE NAME: UNITIL 2-3-16.dwg

WEIGHT (LBS): 4,500#

DRAWN BY: MNN

DATE: 01/11/2018

PAGE: VII.A.6

