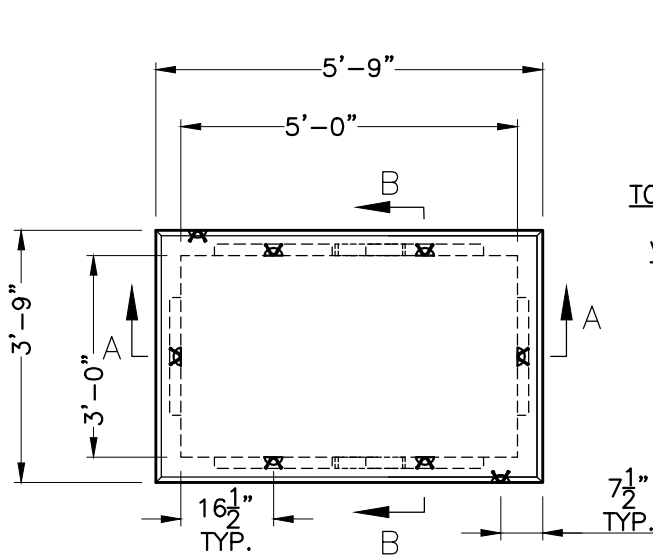
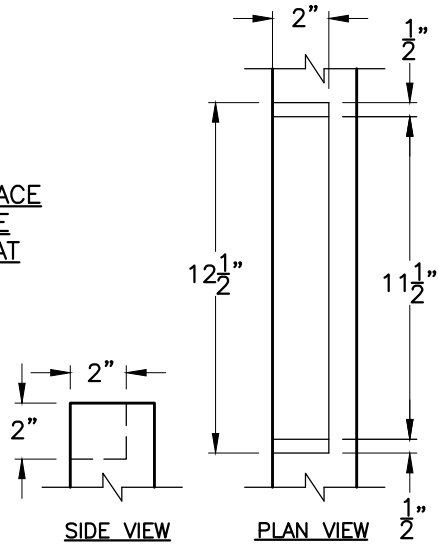


UNITIL 2-3-15 SINGLE PHASE
 SECTIONALIZING PAD AND CABINET



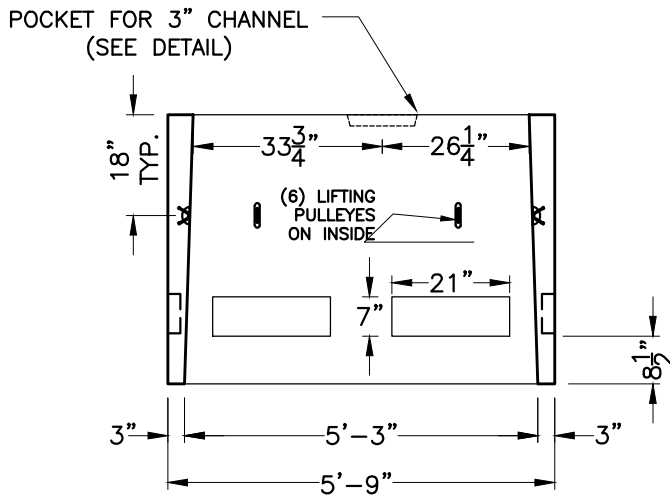
PLAN

TOP SURFACE
 MUST BE
 VERY FLAT

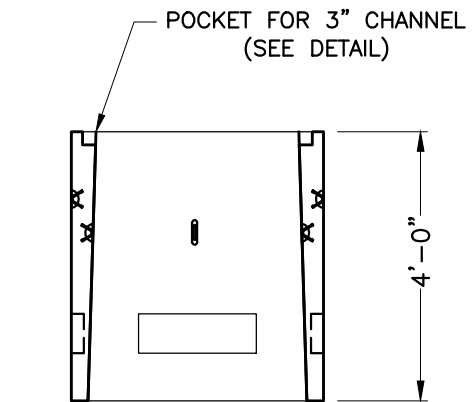


CHANNEL POCKET
 DETAIL

HANDLES MUST BE
 RECESSED



SECTION A-A



SECTION B-B

NOTES:

1. CONCRETE MINIMUM STRENGTH 4,000 PSI AFTER 28 DAYS.

SHEA PRODUCT ID: U2-3-15

FILE NAME: UNITIL 2-3-15.dwg

WEIGHT (LBS): 4,500#

DRAWN BY: MNN

DATE: 01/11/2018

PAGE: VII.A.5

