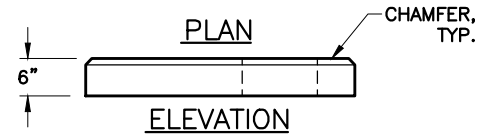
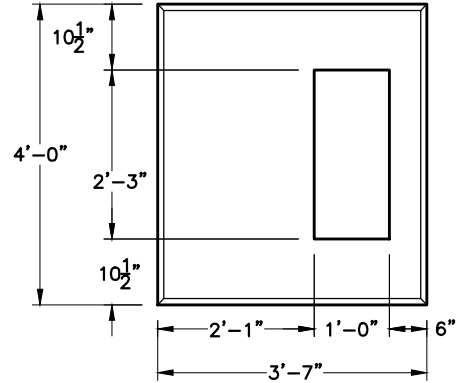
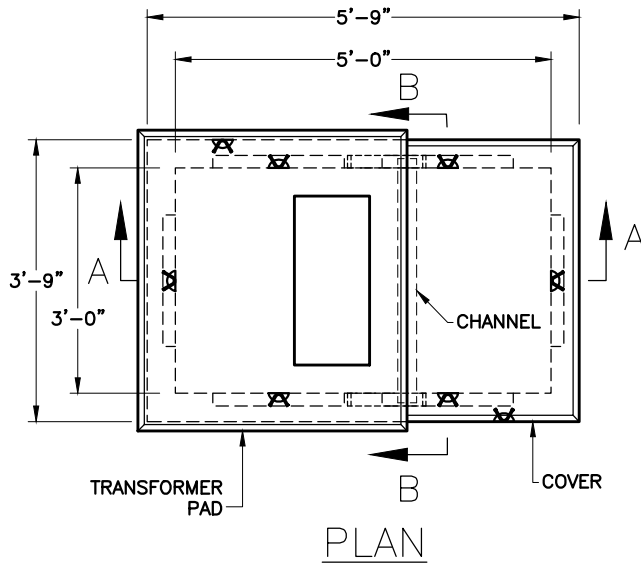
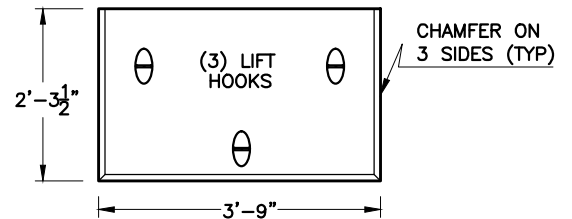


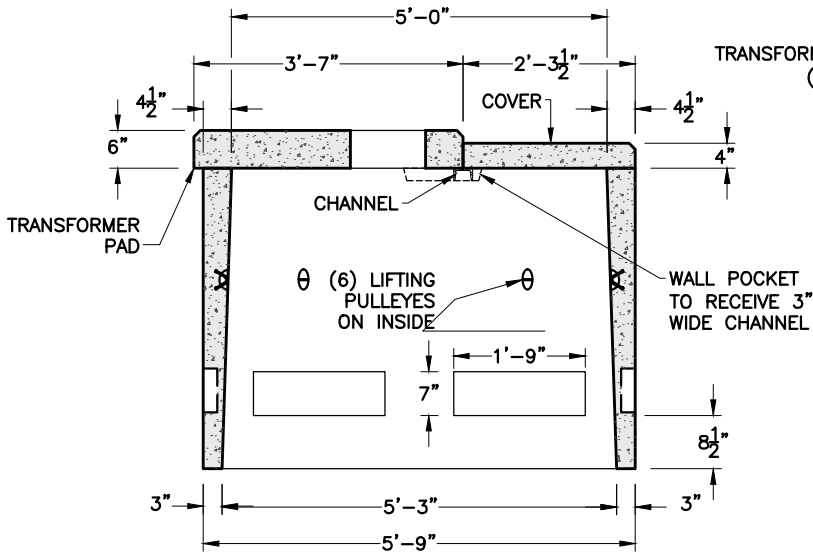
UNITIL 2-3-13
 SINGLE PHASE TRANSFORMER



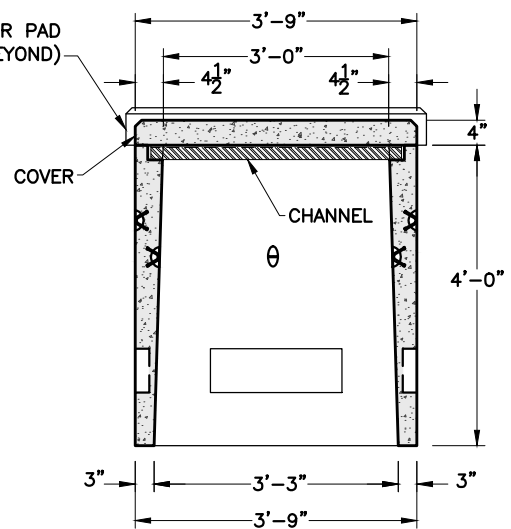
TRANSFORMER PAD



PLAN
 COVER



SECTION A-A



SECTION B-B

NOTES:

1. CONCRETE MINIMUM STRENGTH 4,000 PSI AFTER 28 DAYS.

SHEA PRODUCT ID: U2-3-13

FILE NAME: UNITIL 2-3-13.dwg

WEIGHT (LBS): 4,500#

DRAWN BY: MNN

DATE: 01/11/2018

PAGE: VII.A.3

