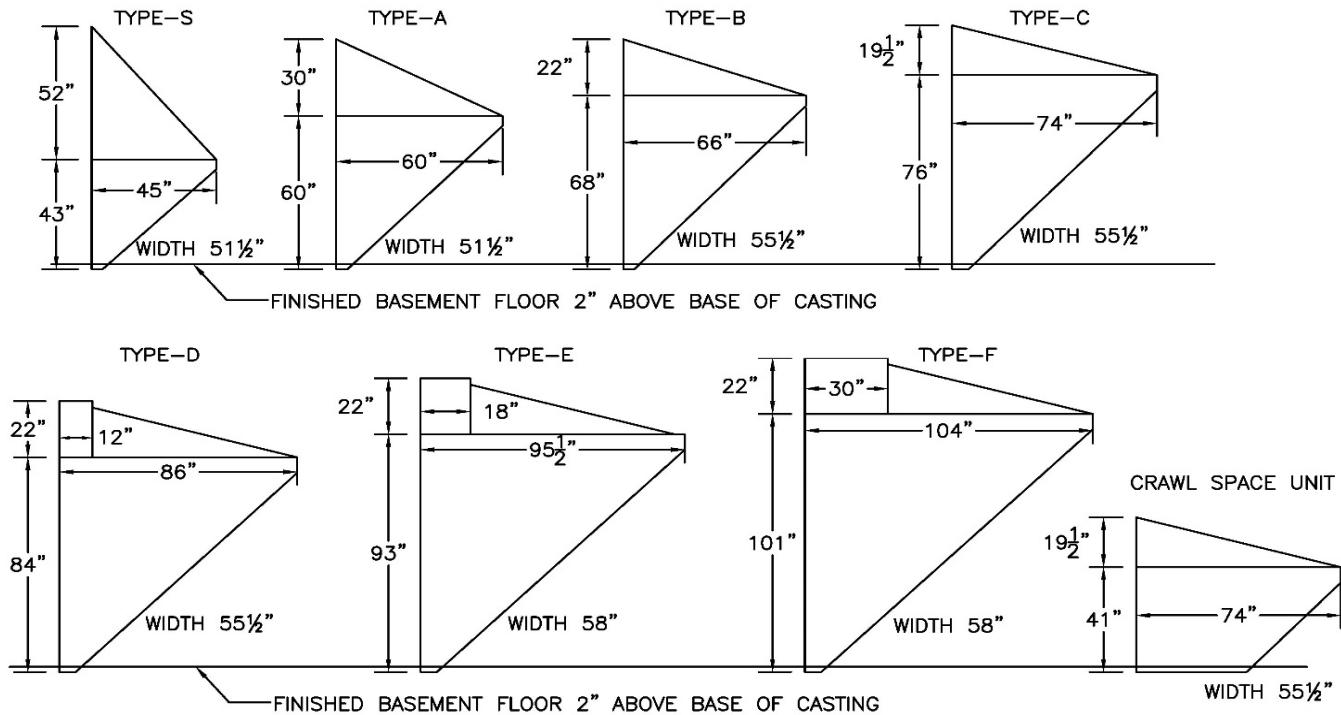


Bulkheads

Prices based on 30 mile radius of plant and do not include sales tax.



Type	Concrete Height	Concrete w/Door	Concrete Only	Door Installed	Door Only
S	43"	\$1,640.00	\$1,130.00	\$875.00	\$695.00
A	60"	\$1,610.00	\$1,240.00	\$720.00	\$590.00
B	68"	\$1,700.00	\$1,350.00	\$720.00	\$590.00
C	76"	\$1,830.00	\$1,480.00	\$750.00	\$620.00
D	84"	\$2,050.00	\$1,600.00	\$1,000.00	\$820.00
E	93"	\$2,560.00	\$2,090.00	\$1,035.00	\$855.00
F	101"	\$2,830.00	\$2,300.00	\$1,150.00	\$960.00
CRAWL	41"	\$1,830.00	\$1,480.00	\$750.00	\$620.00

Extensions

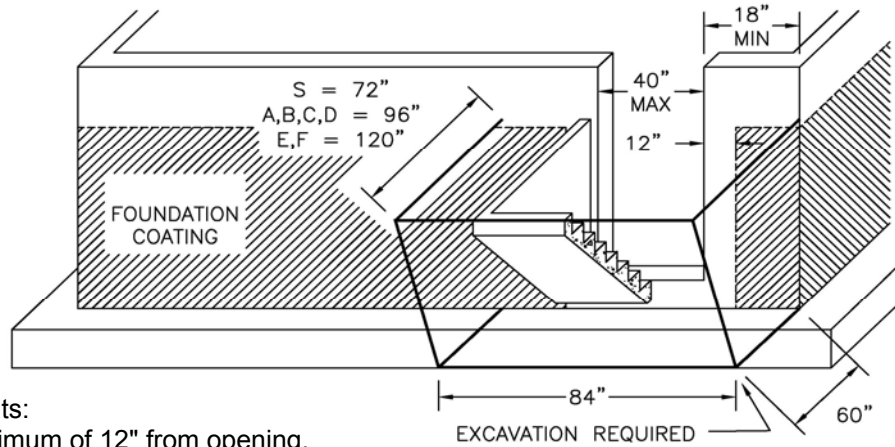
12"	\$200.00
18"	\$235.00
30"	\$340.00

Bulkhead Door Lock

Not installed \$90.00

Brackets for Block Wall

\$120.00



Bulkhead Installation Requirements:

- 1) Keep foundation sealer a minimum of 12" from opening.
- 2) Pour a minimum of a 11 1/2" sep in bulkhead opening as shown.
- 3) Keep a Minimum of 18" from foundation corner.
- 4) Roof drainage should be diverted away from bulkhead opening.
- 5) Perimeter drainage required.
- 6) Back fill should be clean gravel well compacted.
- 7) How to order: Determine dimension from top of footing to proposed finished grade. Refer to types available and select size to assure top of stairwell will be 2" to 6" above finished grade.

Return to job and/or work above and beyond project scope - \$125/hr

20% handling charge on all returned goods.

Remove and Dispose of bulkhead - \$400

Prices are subject to change without notice.

Updated September 25, 2019