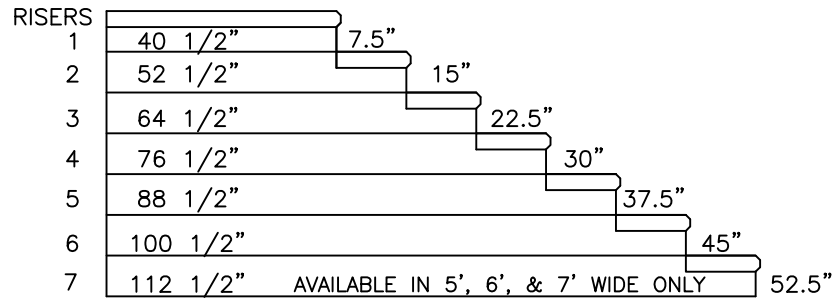


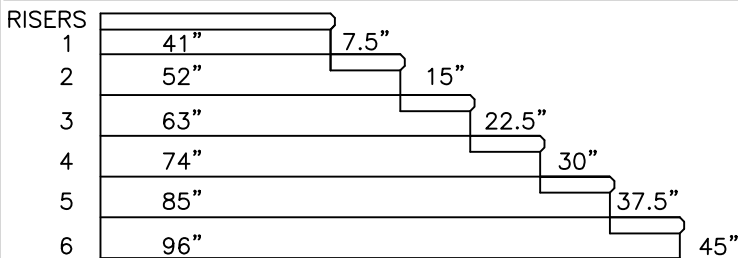
| | | 7" RISER | | | | | | |
|------|-------|-------------|-------|-------|-----|-------|--------|-----------|
| | | SONAR TUBES | | | | | | |
| STEP | WIDTH | A | B | C | D | DEPTH | HEIGHT | STEP RISE |
| 4' | 48" | 47" | 42" | 44.5" | 33" | 14" | 1 | |
| 5' | 60" | 59" | 53.5" | 56" | 47" | 21" | 2 | |
| 6' | 72" | 71" | 65.5" | 68" | 57" | 28" | 3 | |
| 7' | 84" | 83" | 77.5" | 80" | 63" | 35" | 4 | |
| | | | | | 75" | 42" | 5 | |
| | | | | | 87" | 49" | 6 | |
| | | | | | 99" | 56" | 7 | |

7" RISER PLAIN CONCRETE



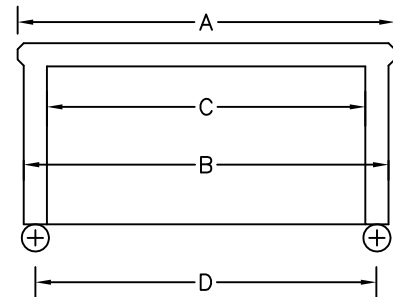
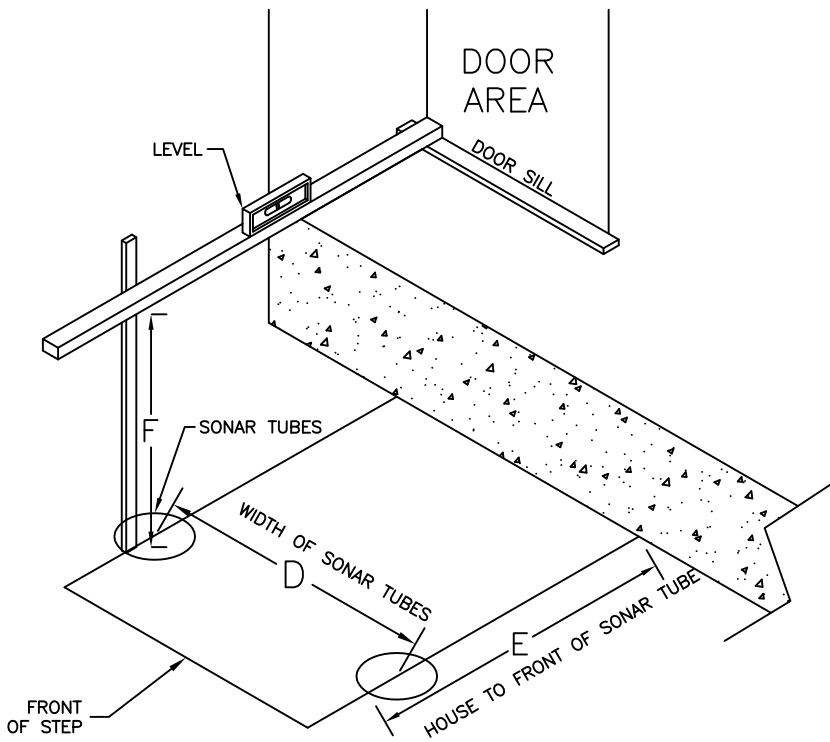
| | | 7 1/2" RISER | | | | | | |
|------|-------|--------------|--------|--------|-----|-------|--------|-----------|
| | | SONAR TUBES | | | | | | |
| STEP | WIDTH | A | B | C | D | DEPTH | HEIGHT | STEP RISE |
| 4' | 48" | 45.5" | 39.5" | 42.5" | 32" | 15" | 1 | |
| 5' | 60" | 57.5" | 51.5" | 54.5" | 46" | 22.5" | 2 | |
| 6' | 72" | 70" | 63.5" | 66.5" | 56" | 30" | 3 | |
| 7' | 84" | 81" | 74.5" | 77.5" | 62" | 37.5" | 4 | |
| 8' | 96" | 94" | 86" | 90" | 74" | 45" | 5 | |
| 10' | 120" | 116.5" | 110.5" | 113.5" | 86" | 52.5" | 6 | |
| | | | | | 98" | 60" | 7 | |

7 1/2" RISER PLAIN CONCRETE & BRICK FACED



| | | 7" RISER | | | | | | |
|------|-------|-------------|-------|-------|-----|-------|--------|-----------|
| | | SONAR TUBES | | | | | | |
| STEP | WIDTH | A | B | C | D | DEPTH | HEIGHT | STEP RISE |
| 5' | 60" | 58.5" | 51.5" | 54.5" | 32" | 15" | 1 | |
| 6' | 72" | 71" | 63.5" | 66.5" | 46" | 22.5" | 2 | |
| 8' | 96" | 95" | 86" | 90" | 55" | 30" | 3 | |
| | | | | | 61" | 37.5" | 4 | |
| | | | | | 72" | 45" | 5 | |
| | | | | | 83" | 52.5" | 6 | |

BRICK & GRANITE



BACK VIEW

- NOTES:
1. PLACE FOOTING 1/2" BELOW DIMENSION "F" TO ALLOW FOR ADJUSTMENT WHEN INSTALLING.



New England's Premier Precaster
 800-696-7432 (SHEA)
 www.sheaconcrete.com

STEP MEASUREMENT
 SONAR TUBE PLACEMENT DIAGRAM

773 Salem Street-Wilmington, MA 153 Cranberry Hwy-Rochester, MA
 87 Haverhill Road-Amesbury, MA 160 Old Turnpike Rd-Nottingham, NH
 Mail to: PO Box 520-Wilmington, MA 01887

Page: A3

StairGuide.dwg 07/18/2011

