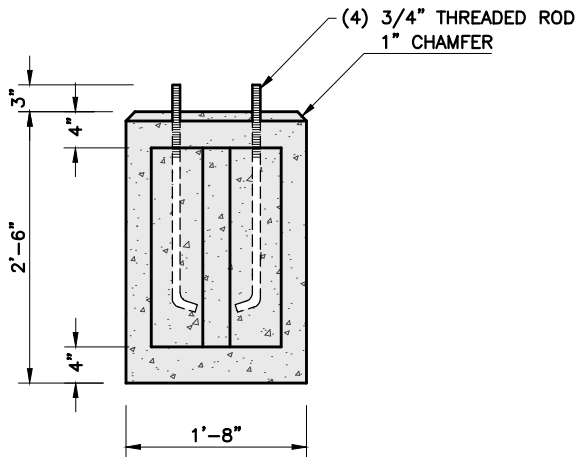
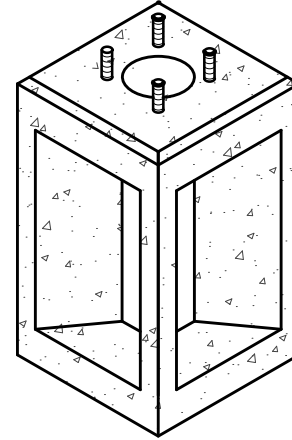
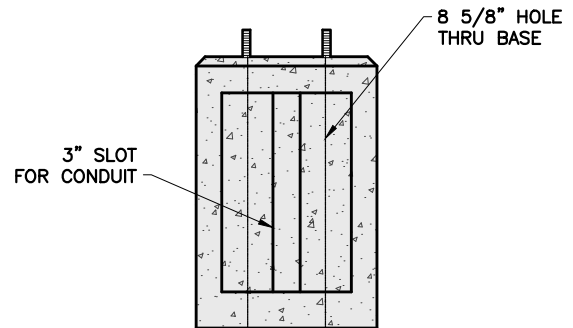


PLAN



SECTION A-A



SECTION B-B

NOTES:

1. CONCRETE: 5,000 PSI MINIMUM AFTER 28 DAYS.
2. MEETS MADOT STANDARDS.

SHEA PRODUCT ID:	SPF2020	FILE NAME:	SD3.030		
WEIGHT (LBS):	1010	DRAWN BY:	L.P.	DATE:	5/10/2018
				PAGE:	VIII.E.5

