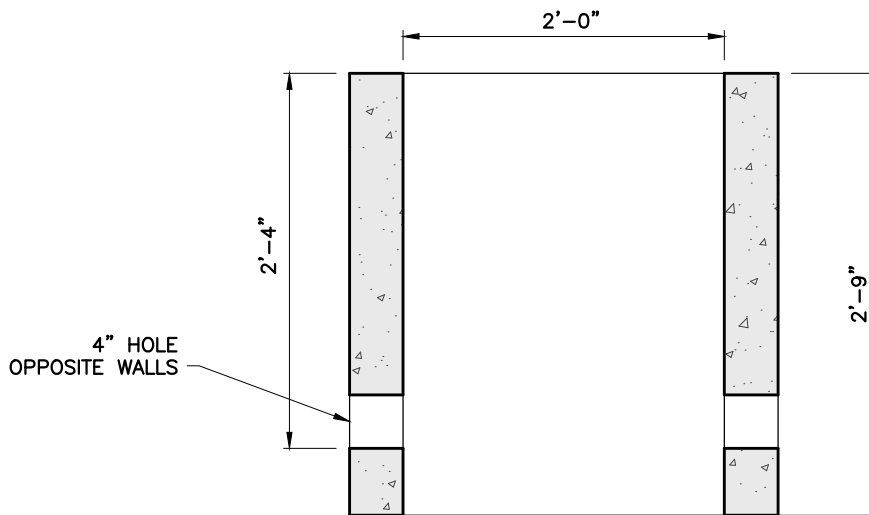


PLAN



SECTION A-A
 OPPOSITE WALLS SIMILAR

NOTES:

1. CONCRETE: 5,000 PSI MINIMUM AFTER 28 DAYS.
2. DESIGN LOADING: AASHTO HS20-44, 0 TO 5 FEET COVER.
3. MEETS MADOT STANDARDS.

SHEA PRODUCT ID: HH-2424MA		FILE NAME: SD2.023			
WEIGHT (LBS): 900	DRAWN BY: L.P.	DATE: 5/9/2018	PAGE: VIII.E.3		