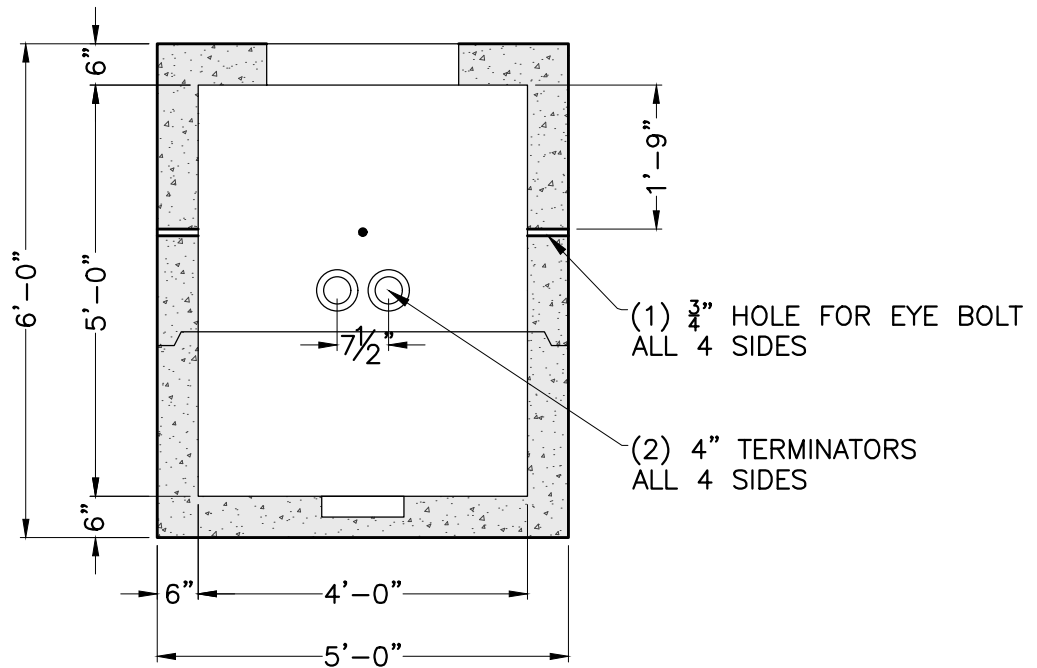


**PLAN**



**SECTION**

NOTES:

1. CONCRETE: 5,000 PSI MINIMUM AFTER 28 DAYS.
2. DESIGN LOADING: AASHTO HS20-44, 0 TO 5 FEET COVER.
3. MEETS MADOT STANDARDS.

SHEA PRODUCT ID: HH-445MA

FILE NAME: SD2.012

WEIGHT (LBS): 10150

DRAWN BY: L.P.

DATE: 5/9/2018

PAGE: VIII.E.1

