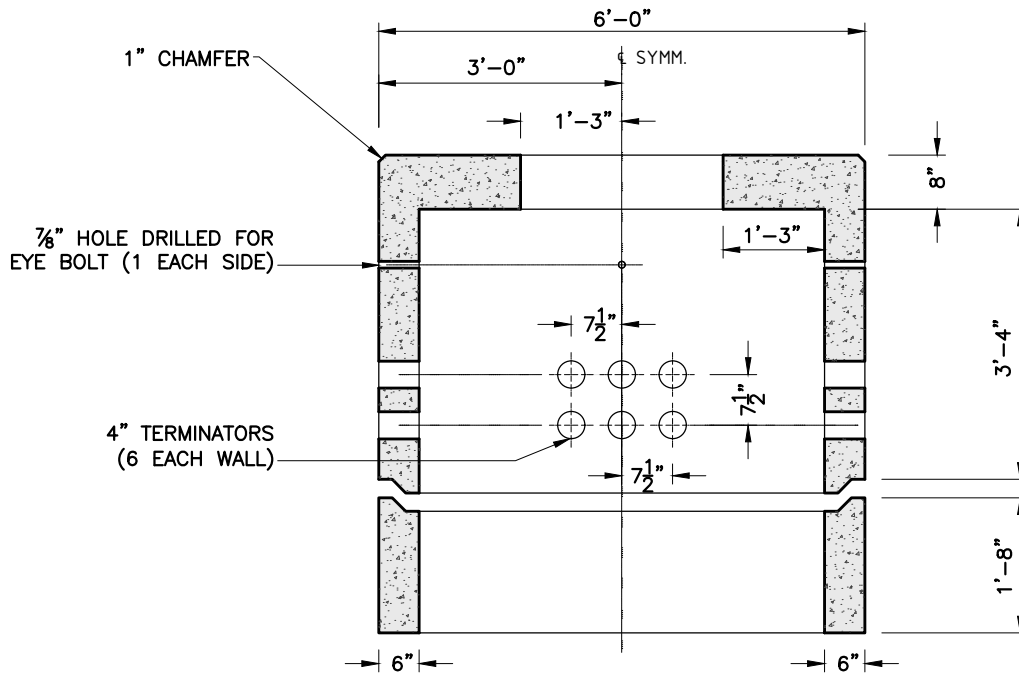


PLAN



SECTION A-A

NOTES:

1. CONCRETE: 5,000 PSI MINIMUM AFTER 28 DAYS.
2. DESIGN LOADING: AASHTO HS20-44, 0 TO 5 FEET COVER.
3. STEEL REINFORCEMENT CONFORMS TO ASTM A615, GRADE 60.
4. MINIMUM STEEL COVER 1".

SHEA PRODUCT ID: PB-555

FILE NAME: PULLBOX 5X5X5

WEIGHT (LBS): 10980

DRAWN BY: L.P.

DATE: 2/5/2018

PAGE: I.B.7

