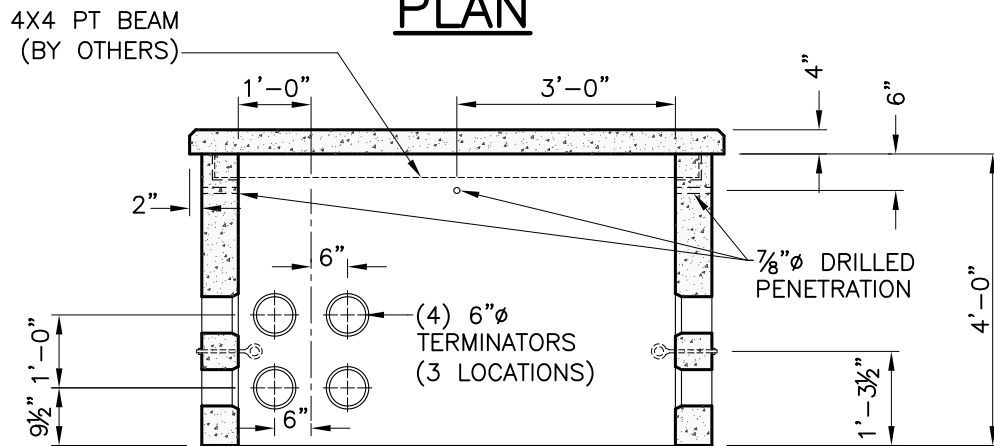
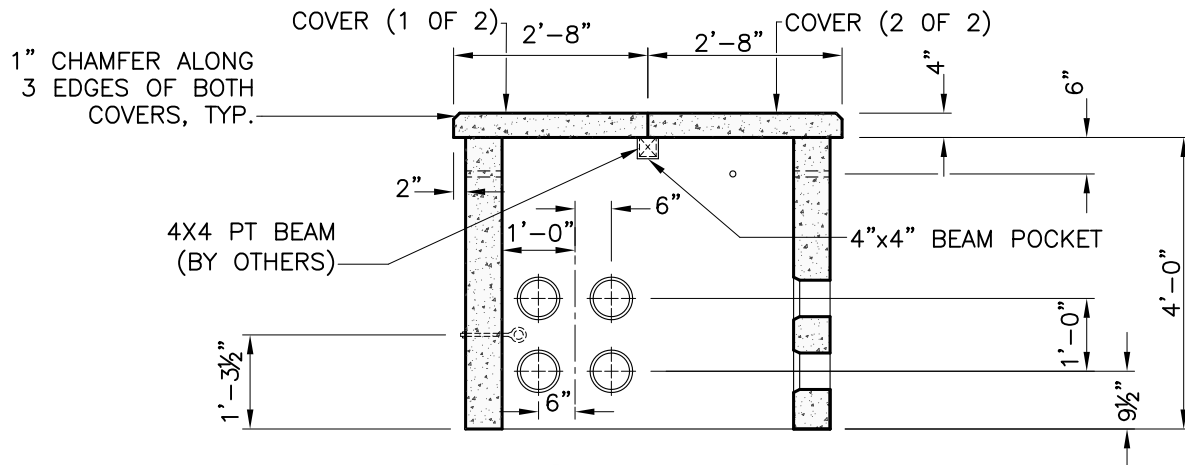


PLAN



SECTION A-A



SECTION B-B

NOTES:

1. CONCRETE MINIMUM STRENGTH 4,000 PSI AFTER 28 DAYS.
2. DESIGNED FOR H-10 LOADING.

WEIGHT

COVER (EACH)	675 LBS
PULL BOX	6,500 LBS



New England's Premier Precaster
 800-696-7432 (SHEA)
 www.sheaconcrete.com

**PSNH PULLBOX MANHOLE
 SWITCHGEAR FOUNDATION**

773 Salem Street—Wilmington, MA 153 Cranberry Hwy—Rochester, MA
 87 Haverhill Road—Amesbury, MA 160 Old Turnpike Rd—Nottingham, NH
 Mail to: PO Box 520—Wilmington, MA 01887

Page: K3.10

PSNHMH4x6.dwg

01/01/2013

