

PLAN VIEW

NOTES:

1. CONCRETE MINIMUM STRENGTH 5,000 PSI AFTER 28 DAYS.
2. STEEL REINFORCEMENT - ASTM A615, GRADE 60.
3. MINIMUM STEEL COVER - 1-1/2 INCH.
4. DESIGN LOADING - AASHTO HS20-44.
5. DESIGN SPECIFICATIONS - ACI 318 & AASHTO LOAD FACTOR DESIGN METHOD.
6. ALL TERMADUCTS TO HAVE BELL ENDS FLUSH WITH THE INSIDE WALL.
7. CONSTRUCTION JOINT - SEALED WITH 1" DIAMETER BUTYL RUBBER OR ACMELITE SEALANT.



New England's Premier Precaster
 800-696-7432 (SHEA)
 www.sheaconcrete.com

NSTAR MANHOLE M1206

6'-6"W x 17'-6"L x 7'-10"H INSIDE DIMENSIONS

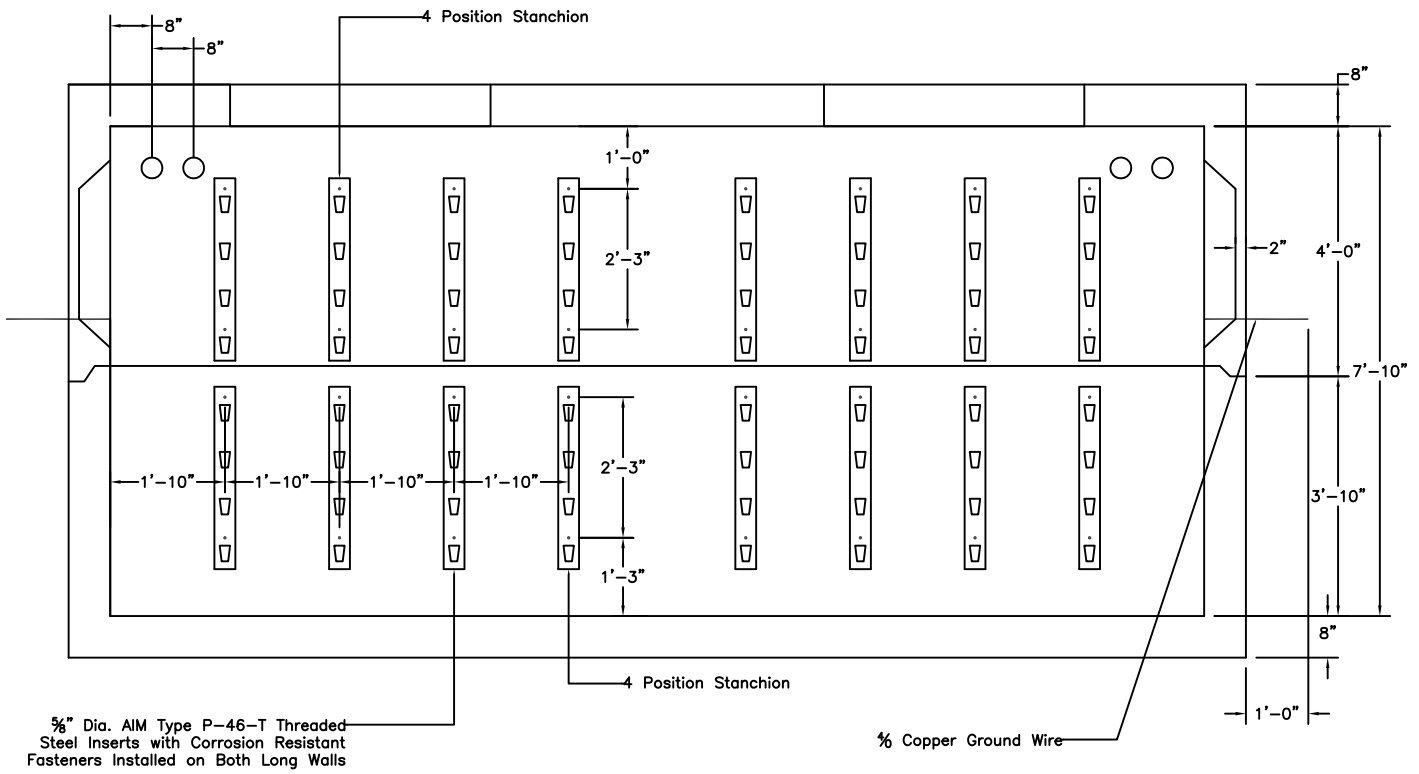
773 Salem Street-Wilmington, MA 153 Cranberry Hwy-Rochester, MA
 87 Haverhill Road-Amesbury, MA 160 Old Turnpike Rd-Nottingham, NH
 Mail to: PO Box 520-Wilmington, MA 01887

Page: K6.6.1

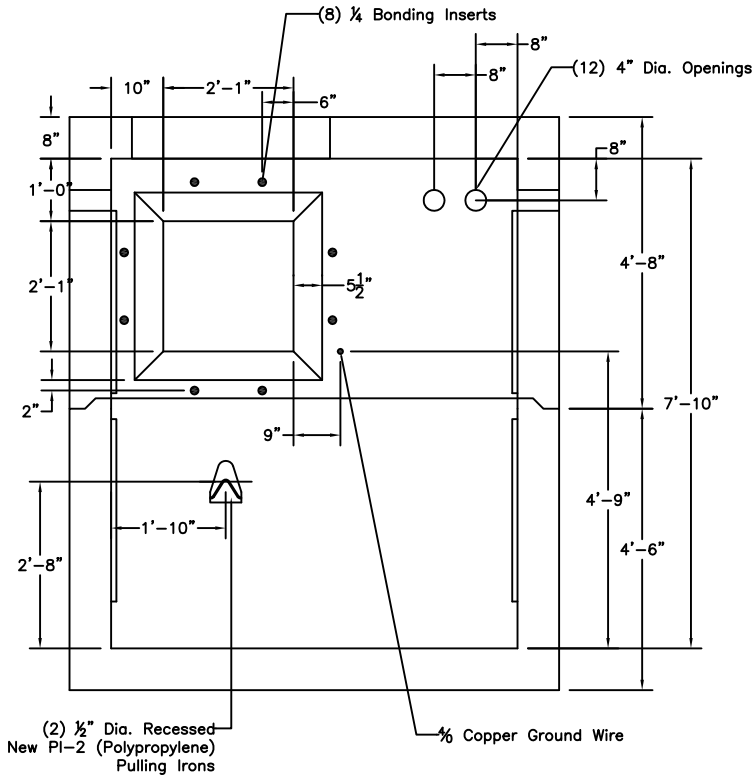
4/23/2010

NSTAR M1206.dwg





SECTION A-A



SECTION B-B



New England's Premier Precaster
 800-696-7432 (SHEA)
 www.sheaconcrete.com

NSTAR MANHOLE M1206

6'-6"W x 17'-6"L x 7'-10"H INSIDE DIMENSIONS

773 Salem Street-Wilmington, MA 153 Cranberry Hwy-Rochester, MA
 87 Haverhill Road-Amesbury, MA 160 Old Turnpike Rd-Nottingham, NH
 Mail to: PO Box 520-Wilmington, MA 01887

Page: K6.6.2

4/23/2010



NSTAR M1206.dwg