

PLAN

NOTES:

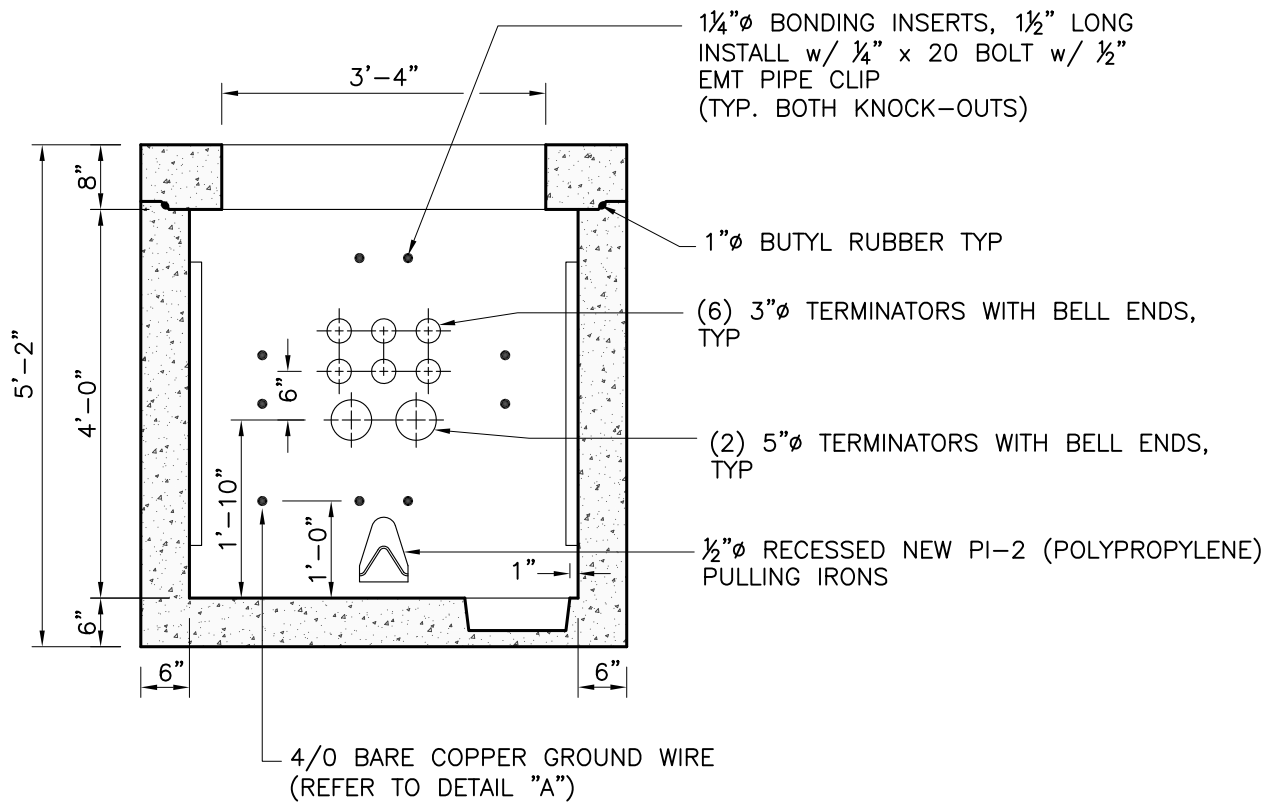
1. CONCRETE: 5,000 PSI MINIMUM AFTER 28 DAYS.
2. STEEL REINFORCEMENT MEETS ASTM A615, GRADE 60. MINIMUM STEEL COVER 1".
3. DESIGN LOADING AASHTO HS20-44.
4. DESIGN SPECIFICATIONS ACI 318.
5. JOINT SEALED WITH BUTYL RESIN.



New England's Premier Precaster
 800-696-7432 (SHEA)
 www.sheaconcrete.com

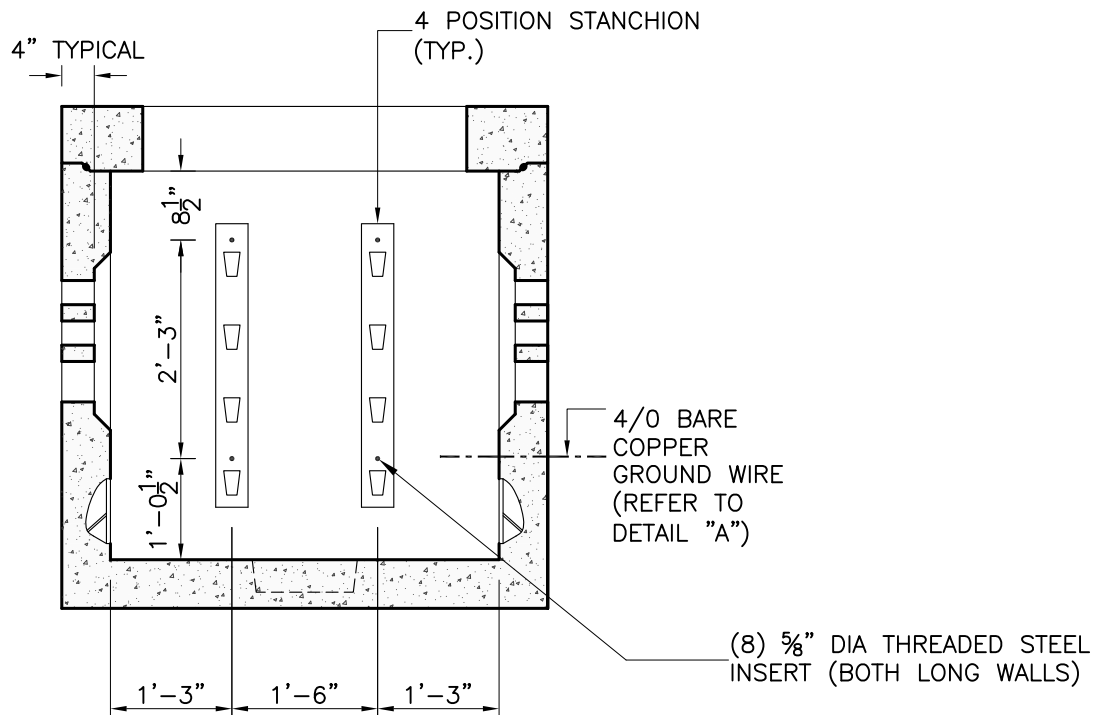
NSTAR UTILITY MANHOLE M1201
 4'-0"W x 4'-0"L x 4'-0"H





SECTION A-A

OPPOSITE WALLS ARE MIRROR IMAGES.



SECTION B-B

OPPOSITE WALLS ARE MIRROR IMAGES.



New England's Premier Precaster
800-696-7432 (SHEA)
www.sheaconcrete.com

NSTAR UTILITY MANHOLE M1201
4'-0"W x 4'-0"L x 4'-0"H

773 Salem Street—Wilmington, MA 153 Cranberry Hwy—Rochester, MA
87 Haverhill Road—Amesbury, MA 160 Old Turnpike Rd—Nottingham, NH
Mail to: PO Box 520—Wilmington, MA 01887

Page: K6.1.2

NSTAR UM 1201.dwg 01/01/2013

