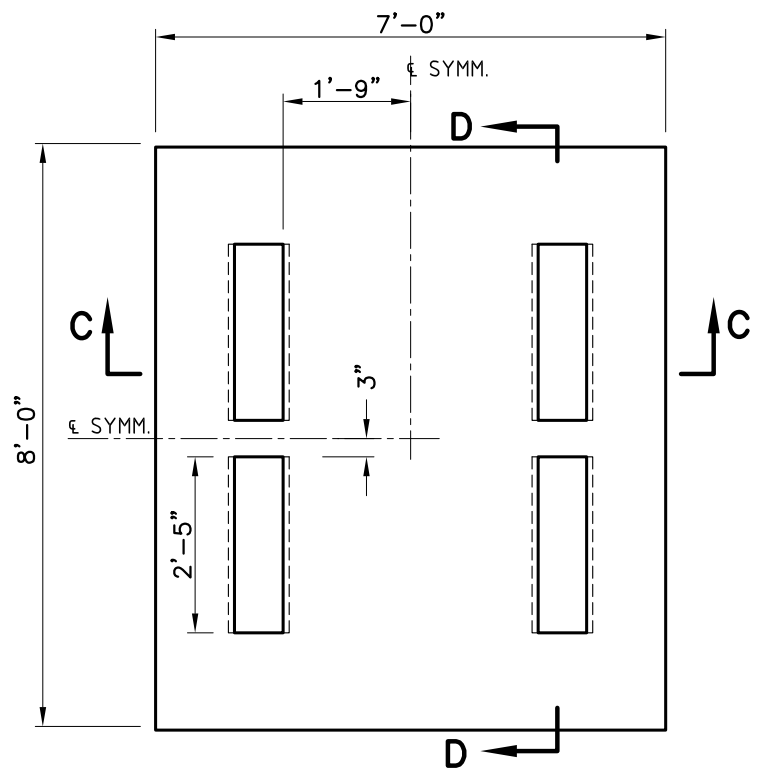
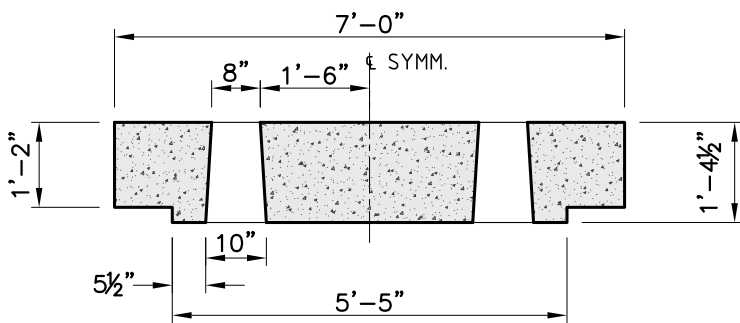


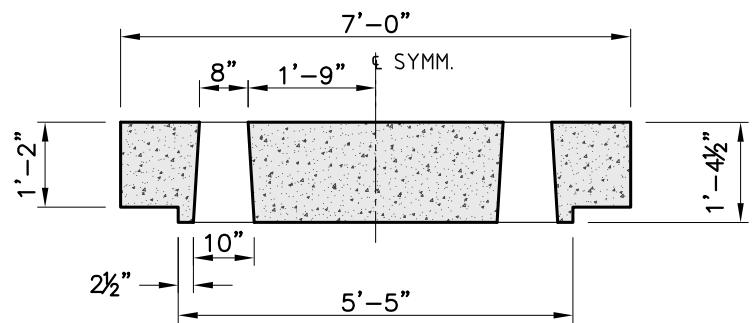
**COLLAR "A"**  
**15kV SG COLLAR**  
**PLAN**



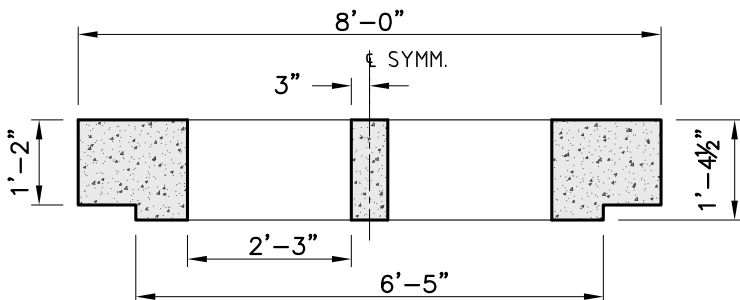
**COLLAR "B"**  
**25/35kV SG COLLAR**  
**PLAN**



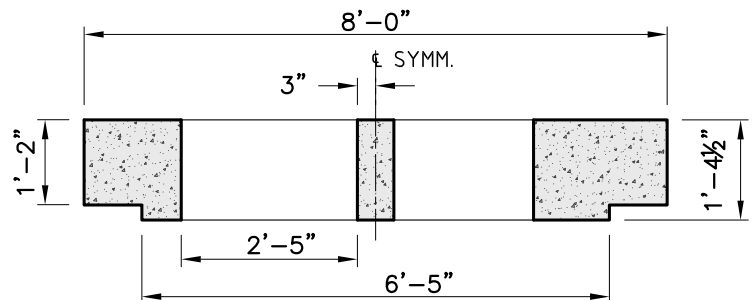
**SECTION A-A**



**SECTION B-B**



**SECTION C-C**



**SECTION C-C**

**NOTES:**

1. CONCRETE MINIMUM STRENGTH 5,000 PSI AFTER 28 DAYS.

WEIGHT	
ITEM NO. UTL-NGSGCA	10,500 LBS
ITEM NO. UTL-NGSGCB	10,500 LBS



*New England's Premier Precaster*  
 800-696-7432 (SHEA)  
 www.sheaconcrete.com

NATIONAL GRID  
 SWITCHGEAR COLLAR "A"/"B"

773 Salem Street-Wilmington, MA 153 Cranberry Hwy-Rochester, MA  
 87 Haverhill Road-Amesbury, MA 160 Old Turnpike Rd-Nottingham, NH  
 Mail to: PO Box 520-Wilmington, MA 01887

