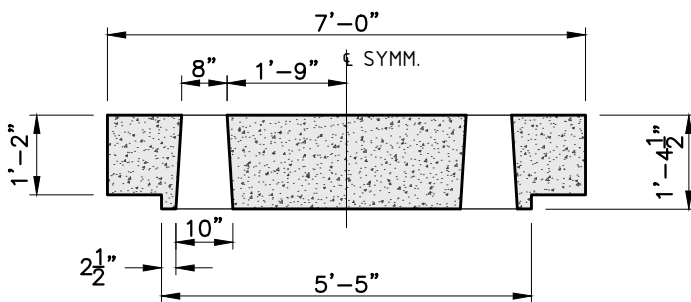
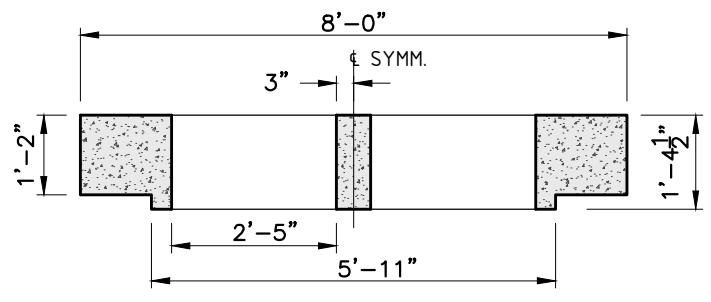


COLLAR "B"
25/35KV SG COLLAR
PLAN



SECTION A-A



SECTION B-B

NOTES:

1. CONCRETE: 5,000 PSI MINIMUM AFTER 28 DAYS.
2. DESIGN LOADING: AASHTO HS20-44, 0 TO 5 FEET COVER.
3. DESIGN SPECIFICATIONS - ACI 318 & AASHTO LOAD FACTOR DESIGN METHOD.
4. STEEL REINFORCEMENT CONFORMS TO ASTM A615, GRADE 60. MINIMUM COVER 1"
5. CONSTRUCTION JOINT SHALL BE SEALED WITH 1"Ø BUTYL RUBBER OR APPROVED EQUAL.

SHEA PRODUCT ID: NGSGCB

FILE NAME: NGSWG COLLAR B

WEIGHT (LBS): 9610

DRAWN BY: L.P.

DATE: 1/3/2017

PAGE: IV.D.4

