

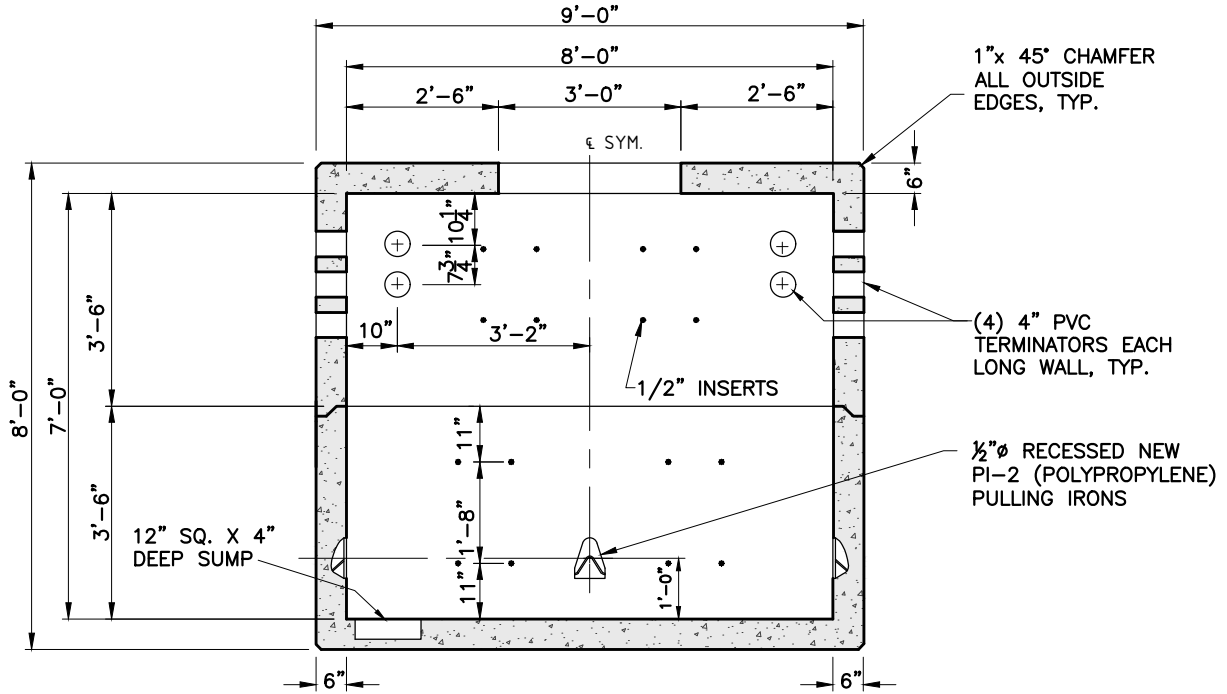
**PLAN**

**NOTES:**

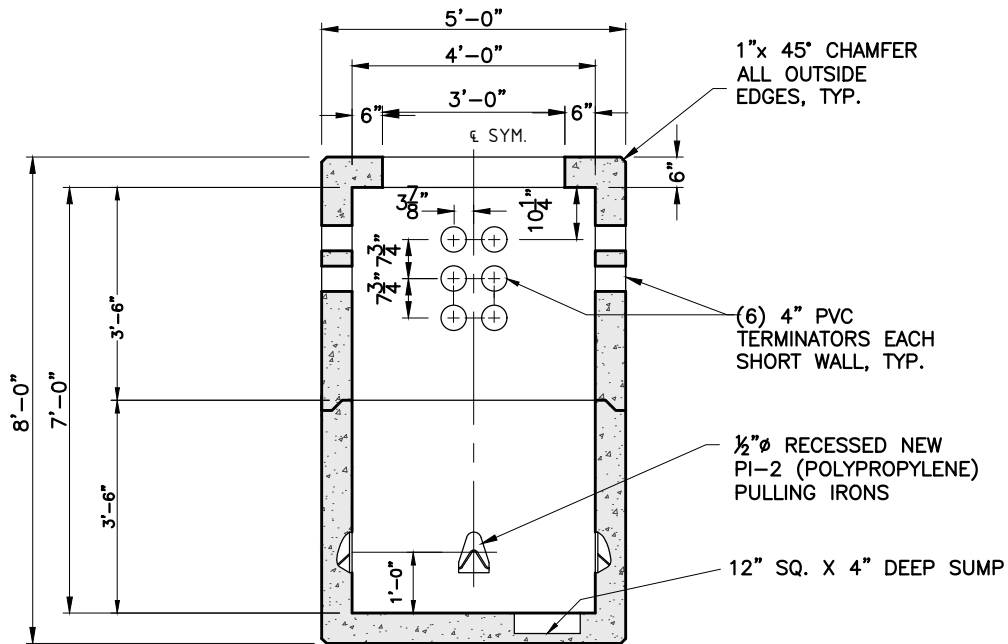
1. CONCRETE: 5,000 PSI MINIMUM AFTER 28 DAYS.
2. DESIGN LOADING: AASHTO HS20-44, 0 TO 5 FEET COVER.
3. STEEL REINFORCEMENT CONFORMS TO ASTM A615, GRADE 60.
4. MINIMUM STEEL COVER 1".

SHEA PRODUCT ID:	MH-487	FILE NAME:	MH 4X8X7		
WEIGHT (LBS):	20395	DRAWN BY:	L.P.	DATE:	2/5/2018
				PAGE:	I.C.6-1





**SECTION A-A**  
 OPPOSITE WALLS ARE MIRROR IMAGES.



**SECTION B-B**  
 OPPOSITE WALLS ARE MIRROR IMAGES.

SHEA PRODUCT ID: MH-487

FILE NAME: MH 4X8X7

WEIGHT (LBS): 20395

DRAWN BY: L.P.

DATE: 2/5/2018

PAGE: I.C.6-2

