
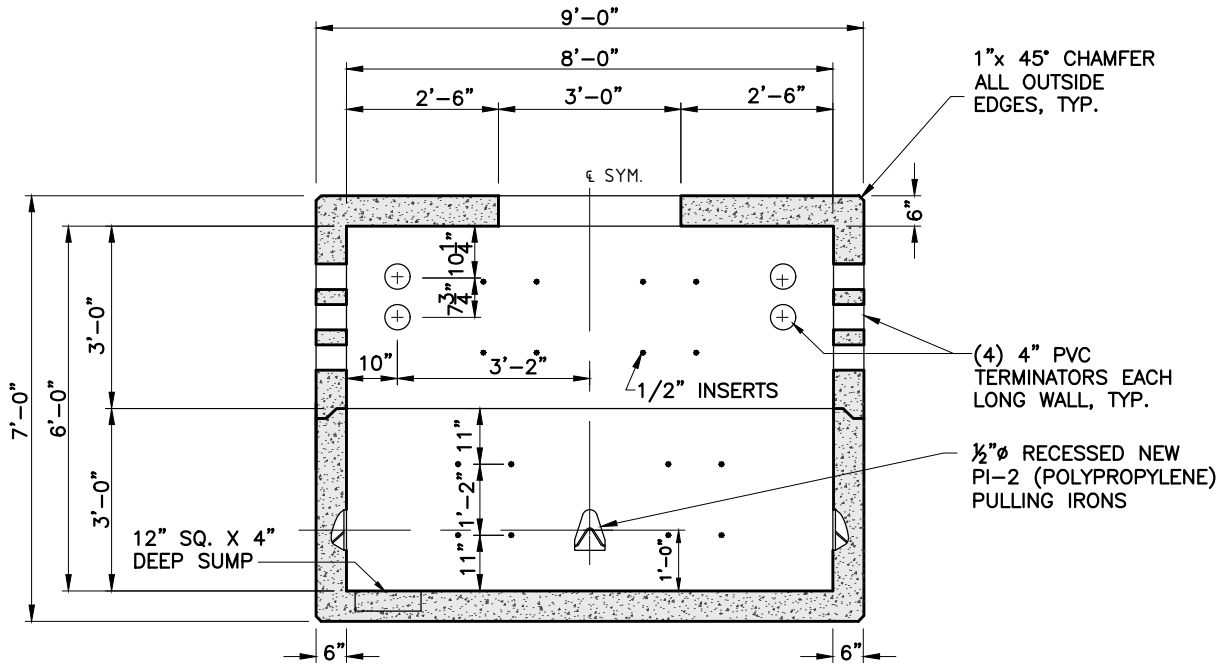


PLAN

NOTES:

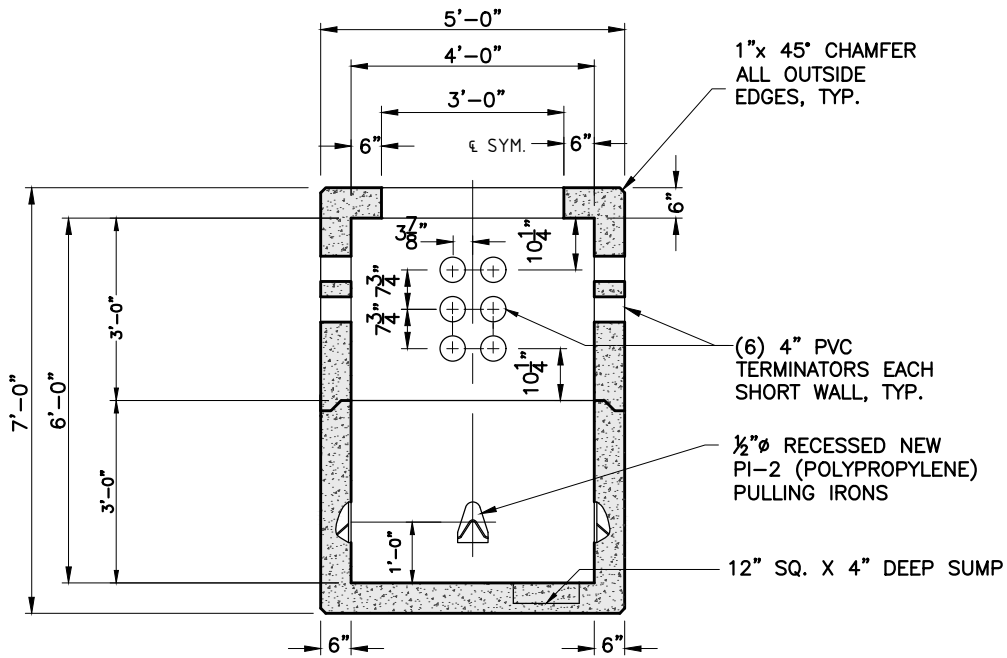
1. CONCRETE: 5,000 PSI MINIMUM AFTER 28 DAYS.
2. DESIGN LOADING: AASHTO HS20-44, 0 TO 5 FEET COVER.
3. STEEL REINFORCEMENT CONFORMS TO ASTM A615, GRADE 60.
4. MINIMUM STEEL COVER 1".

SHEA PRODUCT ID:	MH-486	FILE NAME:	MH 4X8X6		
WEIGHT (LBS):	17480	DRAWN BY:	L.P.	DATE:	2/5/2018
				PAGE:	I.C.5-1
					
773 Salem Street-Wilmington, MA 153 Cranberry Hwy-Rochester, MA 87 Haverhill Road-Amesbury, MA 160 Old Turnpike Rd-Nottingham, NH					



SECTION A-A

OPPOSITE WALLS ARE MIRROR IMAGES.



SECTION B-B

OPPOSITE WALLS ARE MIRROR IMAGES.

SHEA PRODUCT ID: MH-486

FILE NAME: MH 4X8X6

WEIGHT (LBS): 17480

DRAWN BY: L.P.

DATE: 2/5/2018

PAGE: I.C.5-2

