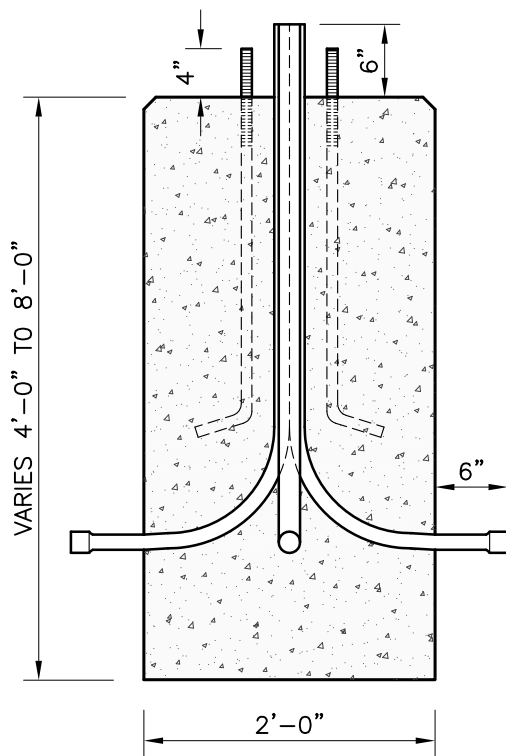
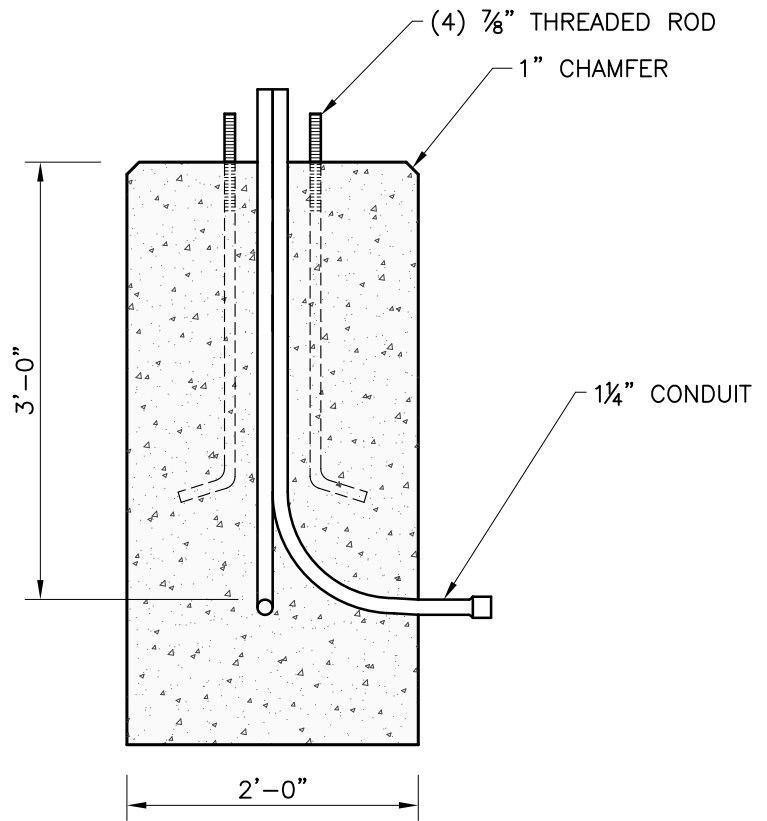


PLAN



SECTION A-A



SECTION B-B

NOTES:

1. CONCRETE MINIMUM STRENGTH 4,000 PSI AFTER 28 DAYS.
2. CONDUIT, ANCHOR BOLTS AND TEMPLATE SUPPLIED BY OTHERS.
3. LIGHT POLE BASE SIZE IS TO BE SPECIFIED BY A QUALIFIED ENGINEER.

WEIGHT: 580 LBS/VERTICAL FOOT



New England's Premier Precaster

800-696-7432 (SHEA)

www.sheaconcrete.com

LIGHT POLE BASE
24" SQUARE

773 Salem Street—Wilmington, MA 153 Cranberry Hwy—Rochester, MA
87 Haverhill Road—Amesbury, MA 160 Old Turnpike Rd—Nottingham, NH

Mail to: PO Box 520—Wilmington, MA 01887

Page: K1.4

lpole24s.dwg

01/01/2013

