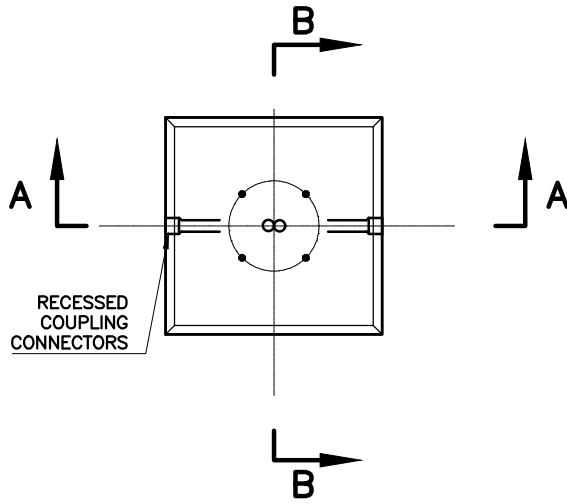
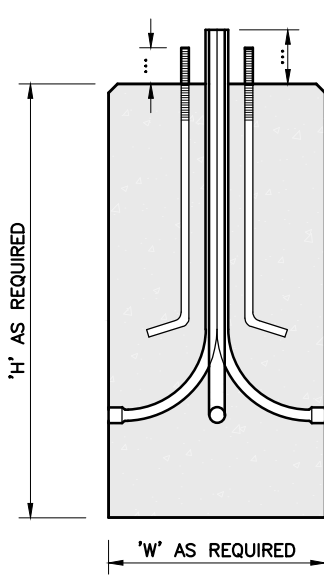
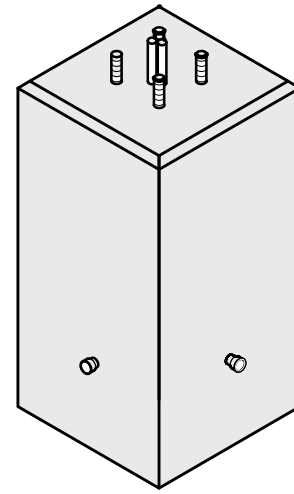


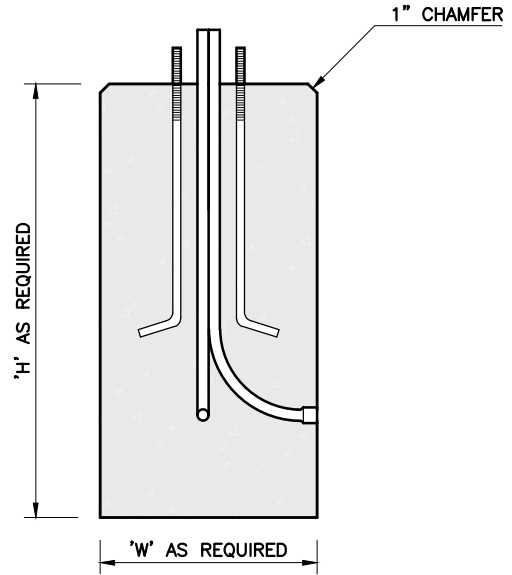
SQUARE LIGHT POLE BASE



PLAN




SECTION A-A



SECTION B-B

NOTES:

1. CONCRETE MINIMUM 5,000 PSI AFTER 28 DAYS.
2. CONDUIT, ANCHOR BOLTS AND TEMPLATE SUPPLIED BY OTHERS.
3. LIGHT POLE BASE SIZE IS TO BE SPECIFIED BY A QUALIFIED ENGINEER.
4. TYPICAL BASE LENGTHS AND WIDTHS 'W' INCLUDE: 17", 20", 18", 24".
5. TYPICAL BASE HEIGHTS 'H' RANGE FROM 4' TO 7'.
6. OTHER SIZES AVAILABLE UPON REQUEST.
7. * REPLACE 'W' AND 'H' WITH BASE WIDTH AND HEIGHT IN SHEA PRODUCT ID.

SHEA PRODUCT ID: LPB'W'SQX'H'*		FILE NAME: LPBSQXHEIGHT		
WEIGHT (LBS): VARIES	DRAWN BY: L.P.	DATE: 1/10/2018	PAGE: I.A.2	