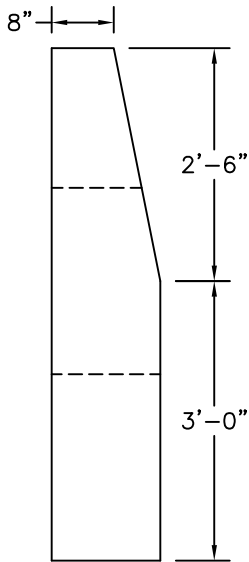
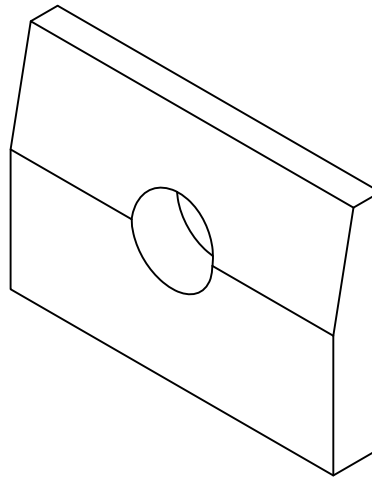
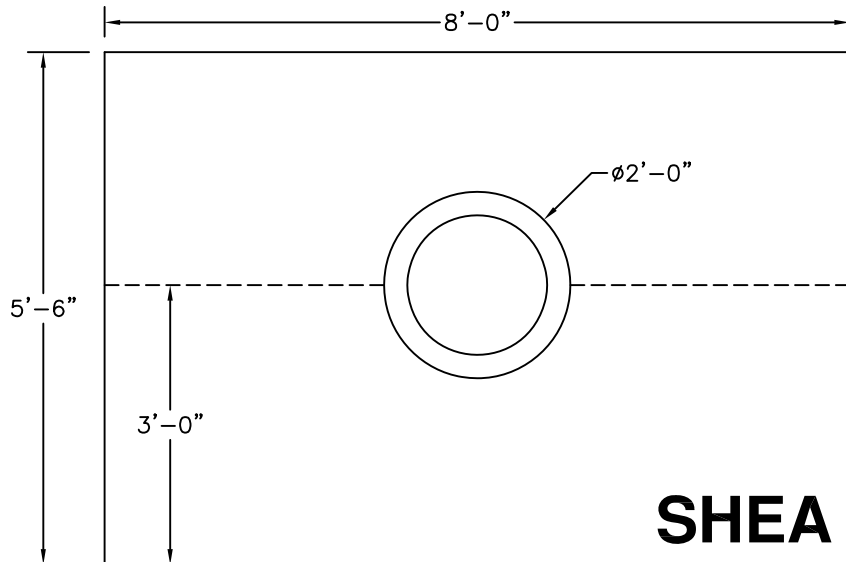


TOP VIEW



SIDE VIEW



FRONT VIEW

SHEA

NOTES:

1. CONCRETE: 4,000 PSI MINIMUM AFTER 28 DAYS.

		WEIGHT
ITEM NO.	HW66X96-24	6,335#



New England's Premier Precaster
 800-696-7432 (SHEA)
 www.sheaconcrete.com

HEADWALL
 18" RCP

773 Salem Street
 P.O. Box 520
 Wilmington, MA 01887

87 Haverhill Road
 P.O. Box 807
 Amesbury, MA 01913

160 Old Turnpike Road
 Nottingham, NH 03290

Page: G11.2

HW18Pipe.dwg

4/3/01

