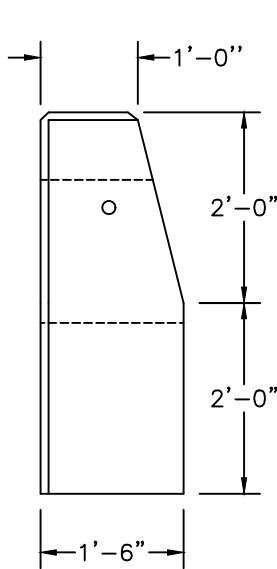
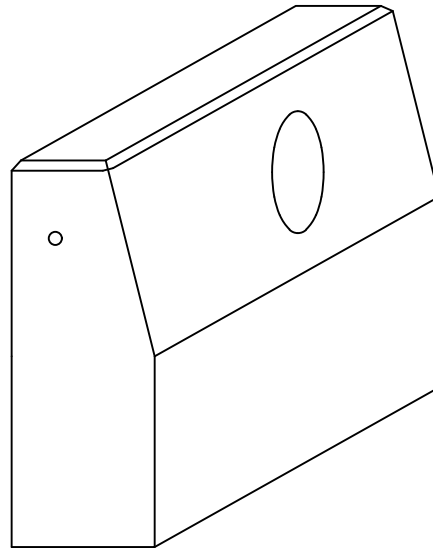
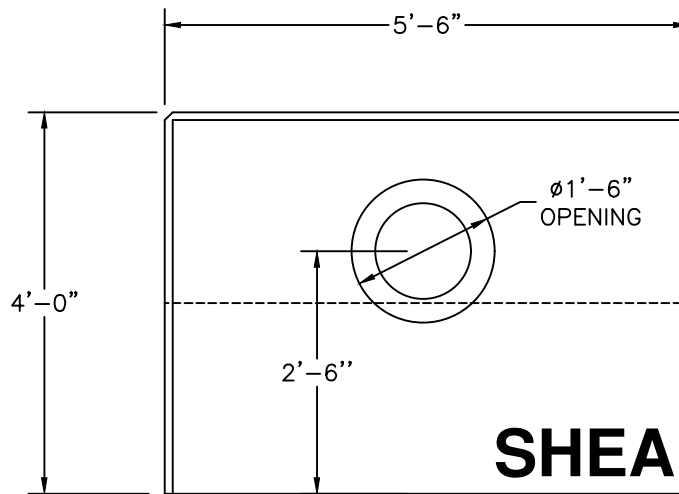


TOP VIEW




SIDE VIEW



FRONT VIEW

NOTES:

1. CONCRETE: 4,000 PSI MINIMUM AFTER 28 DAYS.

SHEA PRODUCT ID: HW48X66-18	PREPARED FOR:	FILE NAME: HW12pipe.dwg	
WEIGHT (LBS): 3,400#	DRAWN BY: ARO	DATE: 03/01/2018	
773 Salem Street-Wilmington, MA 153 Cranberry Hwy-Rochester, MA 87 Haverhill Road-Amesbury, MA 160 Old Turnpike Rd-Nottingham, NH			