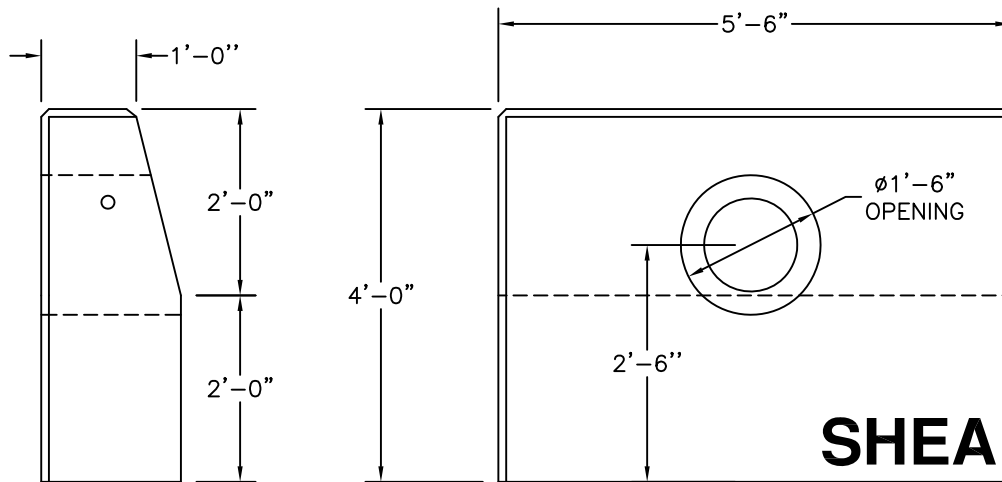
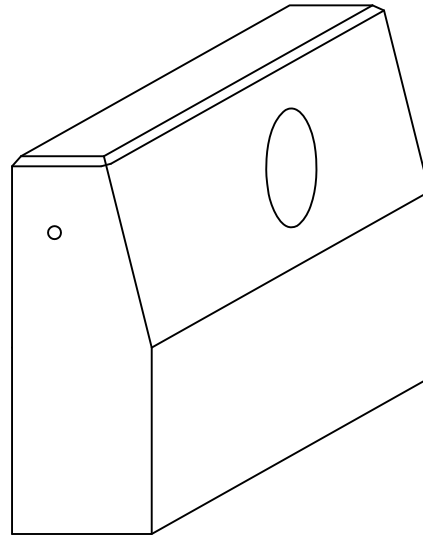


TOP VIEW



FRONT VIEW

SIDE VIEW

NOTES:

1. CONCRETE: 4,000 PSI MINIMUM AFTER 28 DAYS.

		WEIGHT
ITEM NO.	HW48X66-18	3,400#



*New England's Premier Precaster*  
 800-696-7432 (SHEA)  
 www.sheaconcrete.com

HEADWALL  
 12" RCP

773 Salem Street  
 P.O. Box 520  
 Wilmington, MA 01887

87 Haverhill Road  
 P.O. Box 807  
 Amesbury, MA 01913

160 Old Turnpike Road  
 Nottingham, NH 03290

Page: G11.1

HW12pipe.dwg

4/3/01

