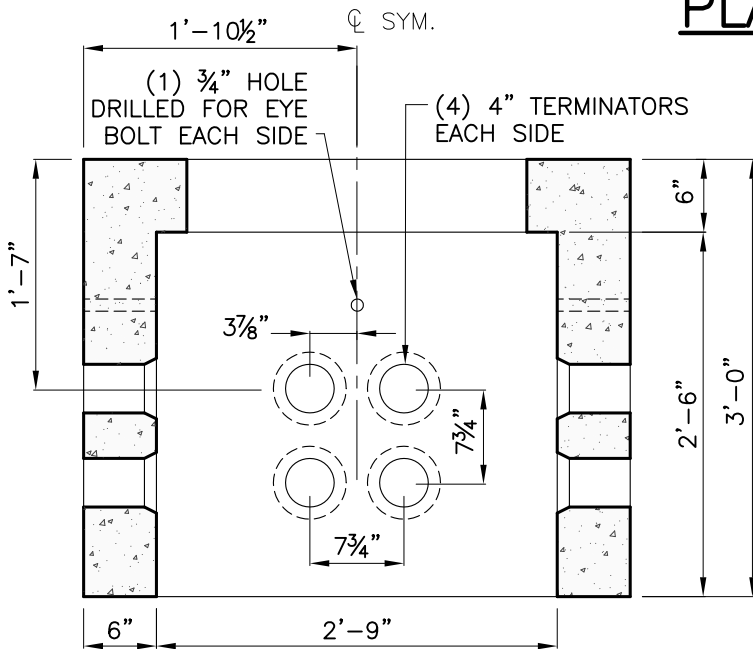
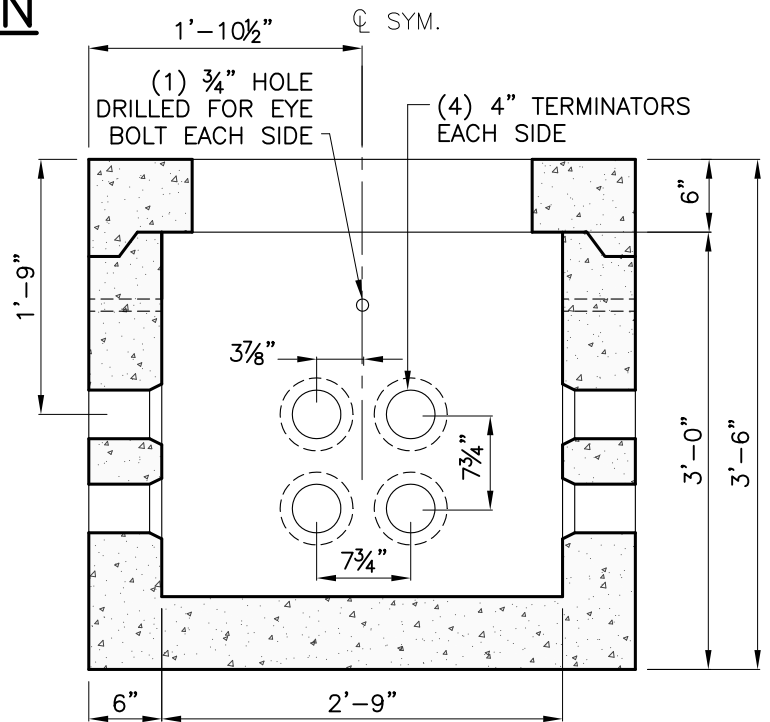


**PLAN**



**SECTION A-A**

36" HIGH STRUCTURE



**SECTION A-A**

48" HIGH STRUCTURE

NOTES:

WEIGHT	
ITEM NO. MH333	2680 LBS

WEIGHT	
ITEM NO. MH333A	3690 LBS

1. CONCRETE: 5,000 PSI MINIMUM AFTER 28 DAYS.
2. STEEL REINFORCEMENT CONFORMS TO ASTM A615, GRADE 60. MINIMUM STEEL COVER 1".
3. DESIGN LOADING: AASHTO HS20-44, 0 TO 5 FEET COVER.
4. OPTIONAL OPENINGS AVAILABLE BY SPECIAL ORDER.



New England's Premier Precaster  
 800-696-7432 (SHEA)  
 www.sheaconcrete.com

**HANDHOLE 33"x33"x30"  
 H-20**

