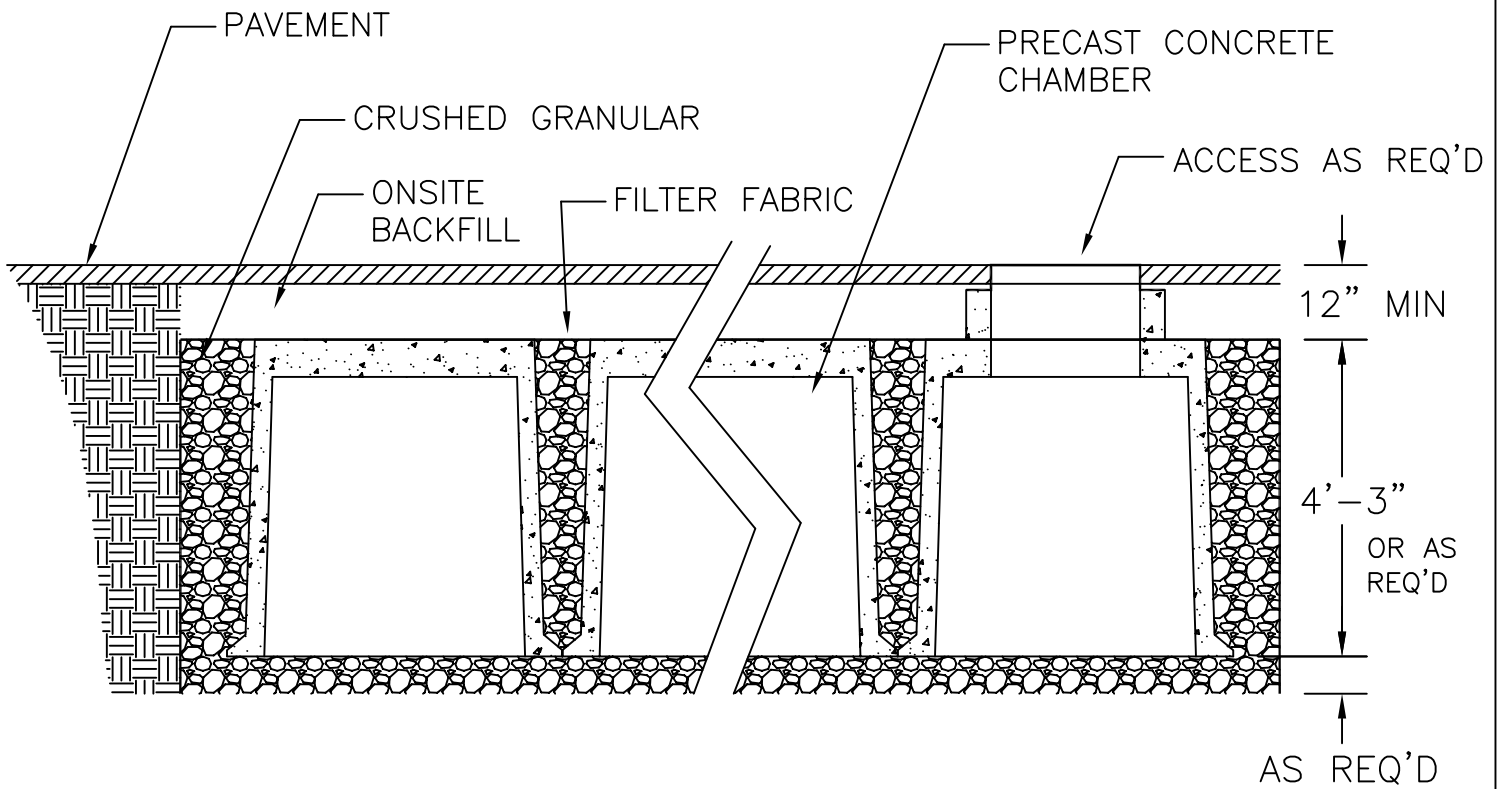


# Typical Cross Section Detail Precast Concrete Galley Chamber (not to scale)



**NOTES:**

1. CONCRETE: 4,000 PSI MINIMUM AFTER 28 DAYS.
2. DESIGNED FOR H-20 LOADING.
3. GALLEY AVAILABLE IN BOTH END AND CENTER SECTIONS.  
CENTER SECTIONS HAVE LARGE OPENING IN BOTH THE BACK AND FRONT SIDES.



*New England's Premier Precaster*  
800-696-7432 (SHEA)  
www.sheaconcrete.com

GALLEY 4X4  
SECTION DETAIL

773 Salem Street  
P.O. Box 520  
Wilmington, MA 01887

87 Haverhill Road  
P.O. Box 807  
Amesbury, MA 01913

160 Old Turnpike Road  
Nottingham, NH 03290

Page: E1.3

GalleySectDetail.dwg 11/25/2009

