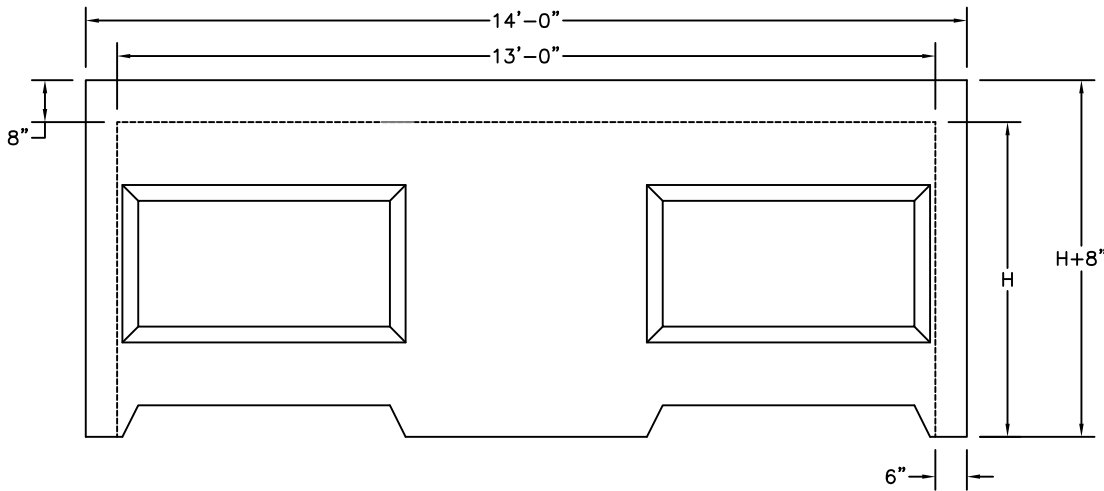
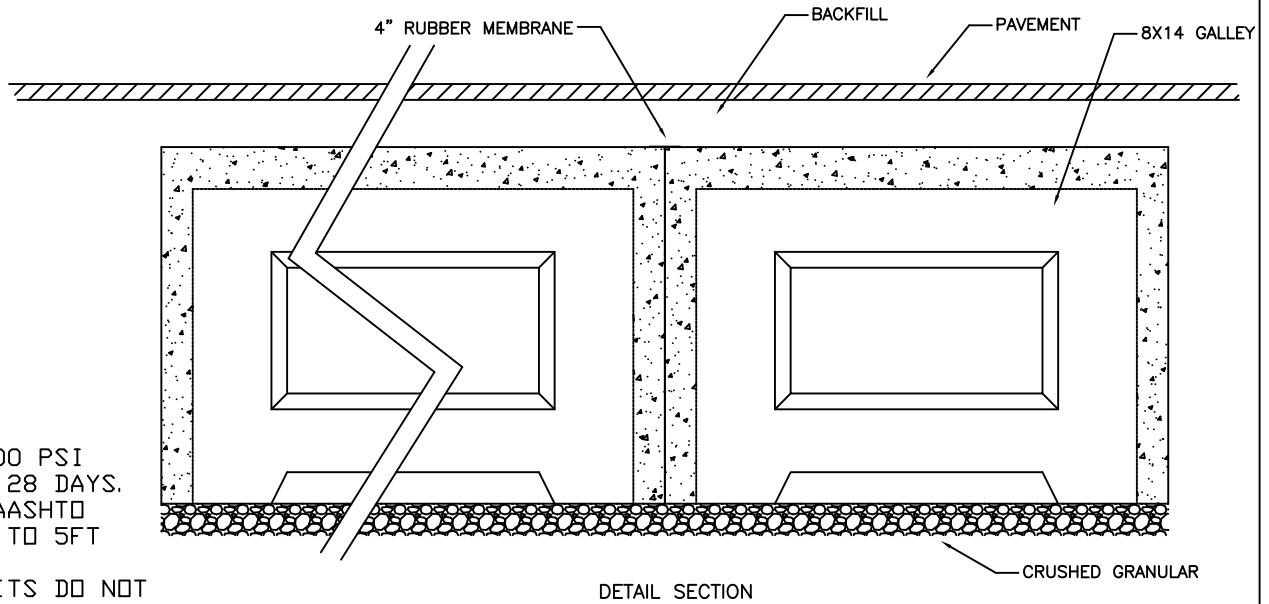


ISO VIEW

HEIGHT(H)	VOLUME(EA)	WEIGHT
2'-0"	200CF	14,900#
3'-0"	300CF	16,600#
4'-0"	400CF	18,300#
5'-0"	500CF	20,000#



SIDE VIEW



DETAIL SECTION

- NOTES:
1. CONCRETE: 5,000 PSI MINIMUM AFTER 28 DAYS.
 2. DESIGNED FOR AASHTO HS-20 LOAD, 0 TO 5FT COVER.
 3. END & SIDE UNITS DO NOT HAVE FLOW-THRU OPENINGS.



New England's Premier Precaster
 800-696-7432 (SHEA)
 www.sheaconcrete.com

GALLEY 8X14
 CENTER CHAMBER

773 Salem Street—Wilmington, MA 153 Cranberry Hwy—Rochester, MA
 87 Haverhill Road—Amesbury, MA 160 Old Turnpike Rd—Nottingham, NH
 Mail to: PO Box 520—Wilmington, MA 01887

Page: E1.4

Galley8X14.dwg

01/05/2012

