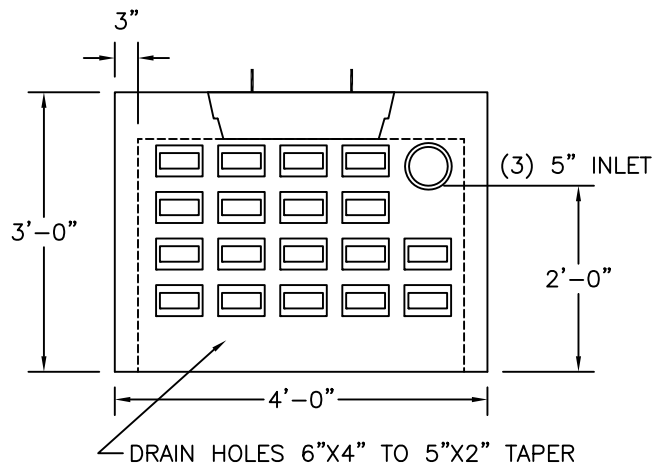
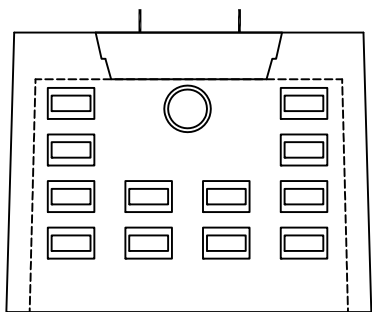


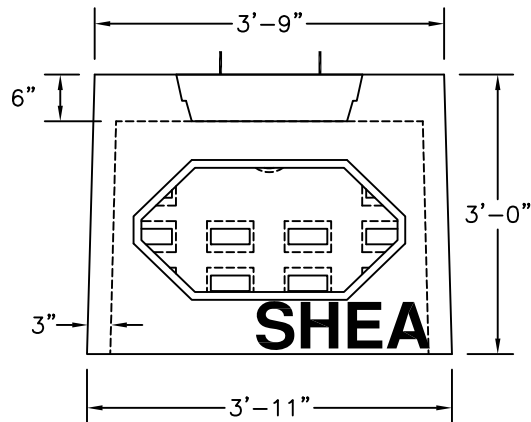
PLAN VIEW



SIDE VIEW



FRONT VIEW



BACK VIEW

NOTES:

1. CONCRETE: 4,000 PSI MINIMUM AFTER 28 DAYS.
2. DESIGNED FOR H-20 LOADING.
3. GALLEY AVAILABLE IN BOTH END AND CENTER SECTIONS. CENTER SECTIONS HAVE LARGE OPENING IN BOTH THE BACK AND FRONT SIDES.

			WEIGHT
ITEM NO.	LE-EGLPH	H-20	1,875#
	LE-CGLPH	H-20	1,743#



*New England's Premier Precaster*  
 800-696-7432 (SHEA)  
 www.sheaconcrete.com

GALLEY 4X4  
 LOW PROFILE

773 Salem Street—Wilmington, MA 153 Cranberry Hwy—Rochester, MA  
 87 Haverhill Road—Amesbury, MA 160 Old Turnpike Rd—Nottingham, NH  
 Mail to: PO Box 520—Wilmington, MA 01887

Page: E1.2

Galley4X4lp.dwg 6/29/11

