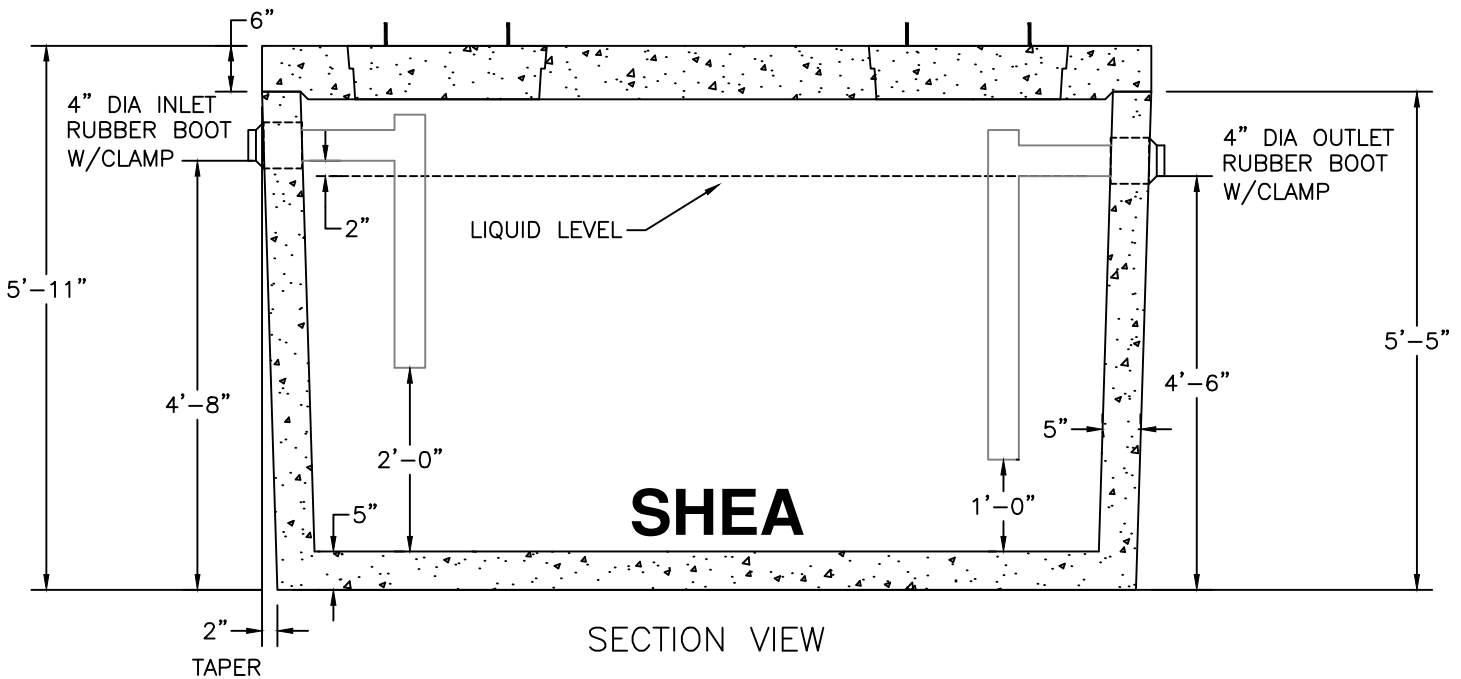


TOP VIEW



SECTION VIEW

NOTES:

1. CONCRETE: 4,000 PSI MINIMUM AFTER 28 DAYS.
2. CONSTRUCTION OF GREASE TRAPS CONFORMS WITH 310 CMR, SECTION 15.00 DEP TITLE 5 REGS.
3. ALL REINFORCEMENT PER ASTM C1227.
4. TEES AND BAFFLES SOLD SEPARATELY.
5. TONGUE & GROOVE JOINT SEALED WITH BUTYL RESIN.
6. DESIGNED FOR AASHTO HS-20 LOADING, 1 TO 5 FT COVER.

WEIGHT:
BOTTOM = 11,250#
10" TOP = 5,960#
6" TOP = 3,575#

ITEM NO.	M1000H	H-20 (6" TOP)
	M1000HT10	H-20 (10" TOP)

SHEA PRODUCT ID:
SEE TABLE

PREPARED FOR:

FILE NAME:
GTM1000.dwg

WEIGHT (LBS):
SEE TABLE

DRAWN BY:
ARO

DATE:
06/11/18

PAGE:
K1

