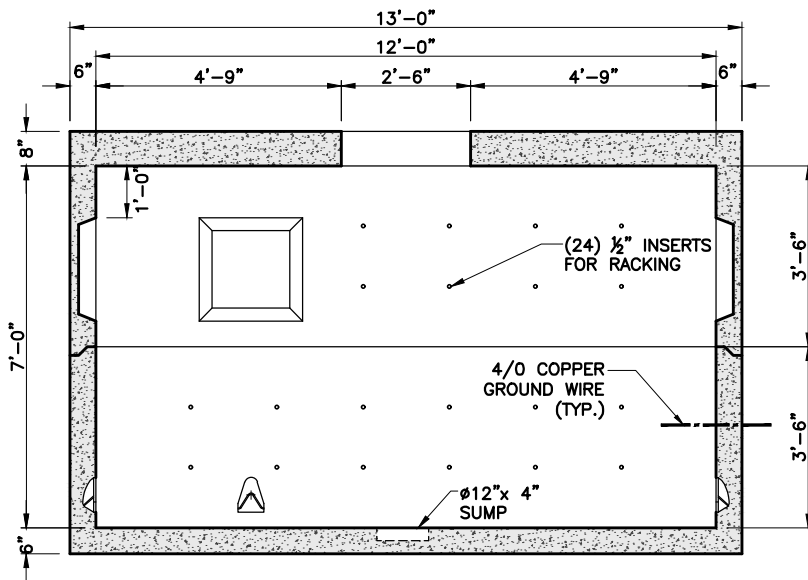
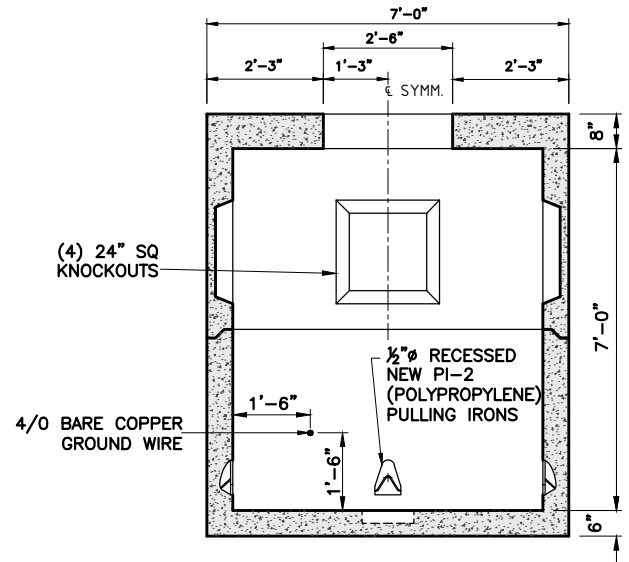


PLAN



SECTION A-A

OPPOSITE WALL SIMILAR



SECTION B-B

OPPOSITE WALL SIMILAR

NOTES:

1. CONCRETE: 5,000 PSI MINIMUM AFTER 28 DAYS.
2. ALL REINFORCEMENT PER ASTM A615, GRADE 60, 1" MIN COVER.
3. DESIGNED FOR HS20-44 LOADING.
4. EXTERIOR COATING PROVIDED.

WEIGHT

TOP	17,750 LBS
BOTTOM	17,750 LBS
TOTAL	35,500 LBS

SHEA PRODUCT ID: EV-VAULT-R10001-1

FILE NAME:

ES-NH MH R10001-1.dwg

WEIGHT (LBS): 35,500#

DRAWN BY: NMB

DATE: 05/29/2018

PAGE: III.B.1

