

V2B1 SIZING TABLE							
V2B1 MODEL #	D1 (ft.)	D2 (ft.)	S (ft.)	IMPERVIOUS AREA (acres)	INLET PIPE (in.)	TREATMENT FLOW (cfs)	PEAK FLOW (cfs)
3	4	5	4.1±	0.3-1.3	12	0-1	4
4	5	5	4.4±	1.3-2.0	15	1-2	6
6	6	5	4.7±	2.0-3.0	18	2-3	7
9	7	5	4.9±	3.0-4.0	21	3-5	9
11	8	6	5.1±	4.0-5.3	24	5-7	16
17	10	8	5.5±	5.3-8.3	30	7-10	25
25	12	8	5.9±	8.3-11.7	36	10-13	35

GENERAL NOTES:
 MANHOLE DESIGN SPECIFICATIONS CONFORM TO LATEST ASTM C478 SPEC. FOR PRECAST REINFORCED CONCRETE MANHOLE SECTIONS.

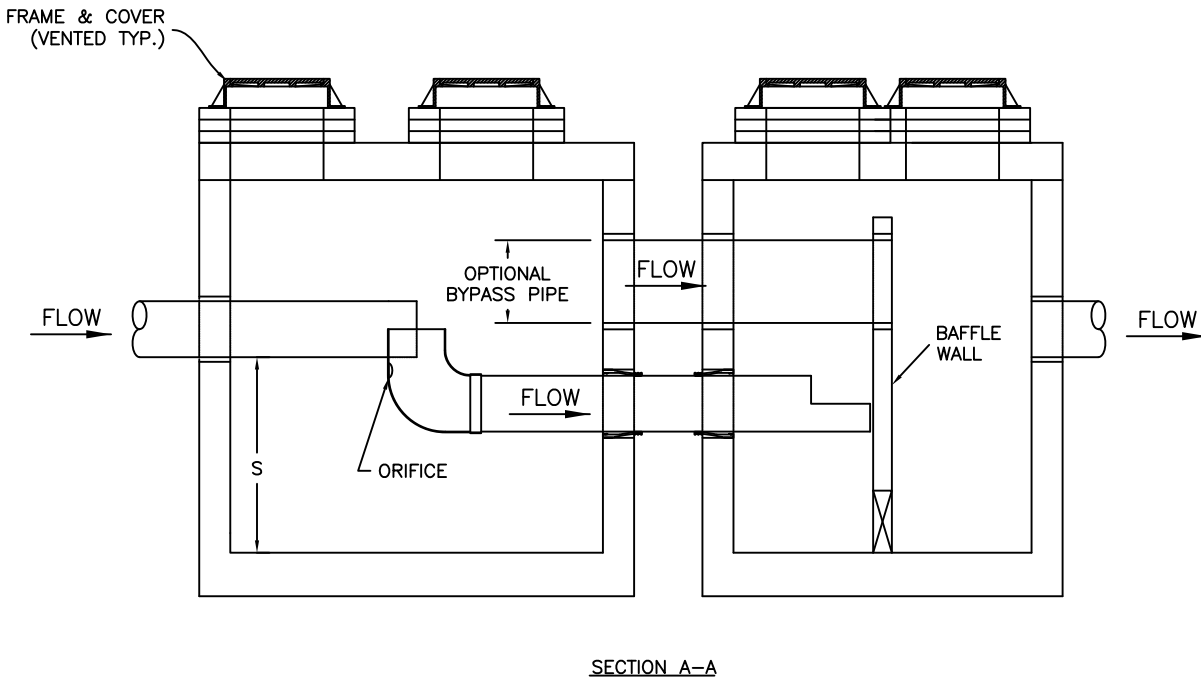
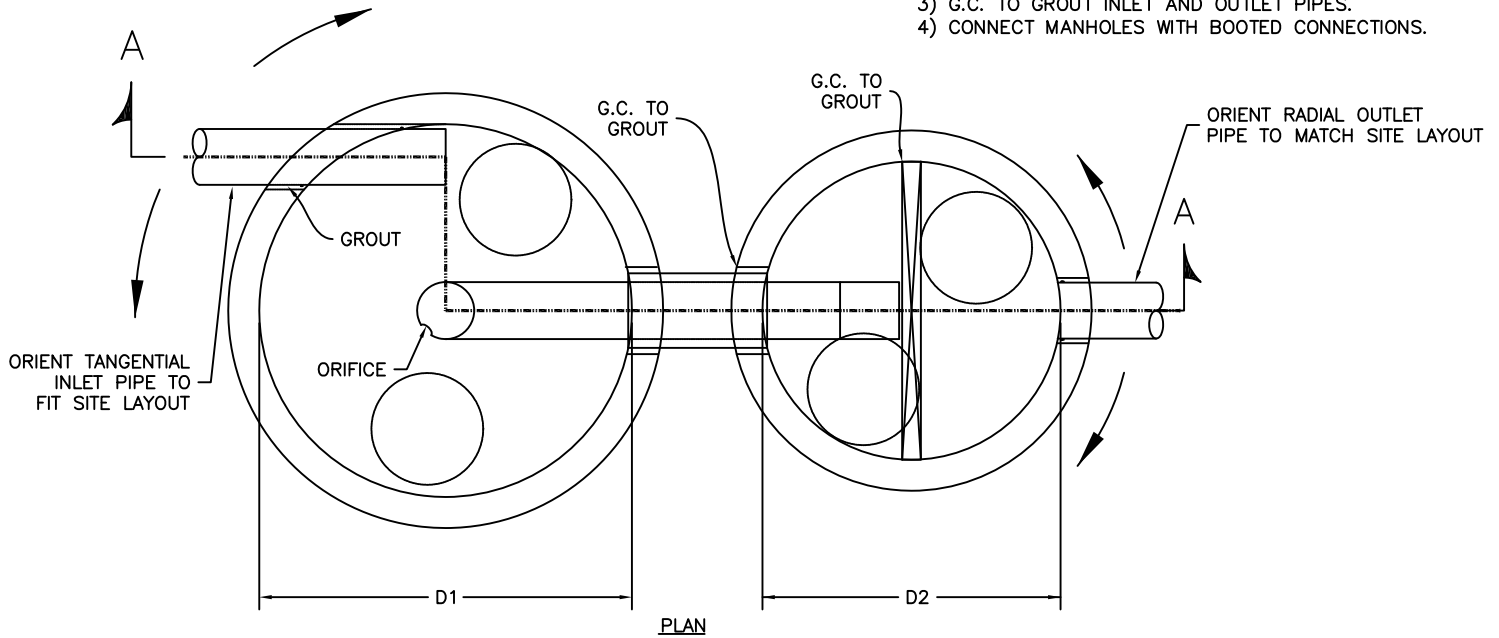
DESIGN LOADING: AASHTO HS20-44

NOTES:

- 1) RAINFALL INTENSITY USED FOR TREATMENT FLOW = 0.80-1.0 IN/HR
- 2) MAXIMUM OPERATING LOSS APPROXIMATELY 0.5 FT

MANUFACTURING NOTES:

- 1) DESIGN OF INTERNAL PVC PIPING PROVIDED TO LICENSED MANUFACTURER BY ENVIRONMENT 21, LLC.
- 2) LOCATION AND SIZE OF MANHOLE OPENINGS MAY BE ADJUSTED BY LICENSED MANUFACTURER.
- 3) G.C. TO GROUT INLET AND OUTLET PIPES.
- 4) CONNECT MANHOLES WITH BOOTED CONNECTIONS.



SHEA *New England's Premier Precaster*
 CONCRETE PRODUCTS 800-696-7432 (SHEA)
 www.sheaconcrete.com

V2B1 ONLINE SYSTEM

773 Salem Street 87 Haverhill Road 160 Old Turnpike Road
 P.O. Box 520 P.O. Box 807 Nottingham, NH 03290
 Wilmington, MA 01887 Amesbury, MA 01913

Page: H5.2
 ENV21V2B1.dwg 11/23/2009