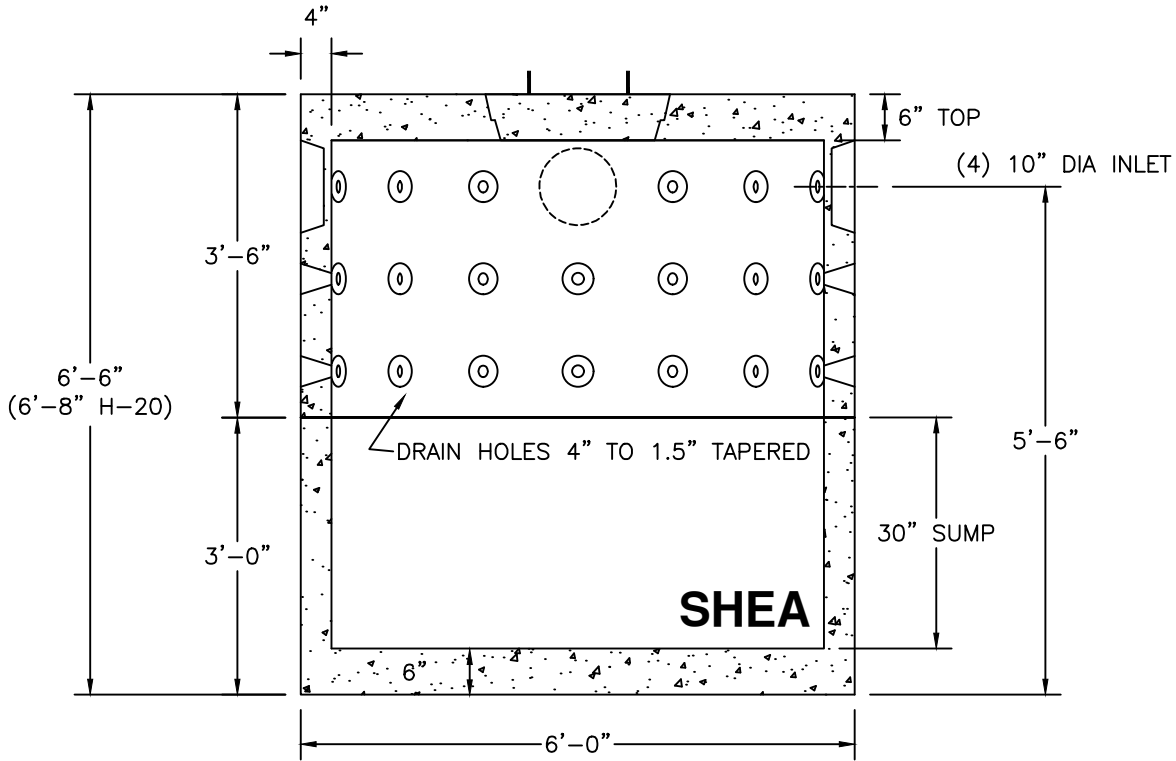


PLAN VIEW



SECTION VIEW

NOTES:

1. CONCRETE: 4,000 PSI MINIMUM AFTER 28 DAYS.
2. ALSO AVAILABLE IN AASHTO HS-20 LOADING.
3. CAPACITY INCREASES IN INCREMENTS OF 500 GALLONS FOR EACH 3' SECTION ADDED.

ITEM NO.	SSS	30" SUMP	WEIGHT
			6,409#
	3SS	3' STACKABLE (NO COVER)	2,008#

SHEA PRODUCT ID:
SEE TABLE

PREPARED FOR:

FILE NAME:
Dwcleach.dwg

WEIGHT (LBS):
SEE TABLE

DRAWN BY:
ARO

DATE:
06/01/18

PAGE:
E5

