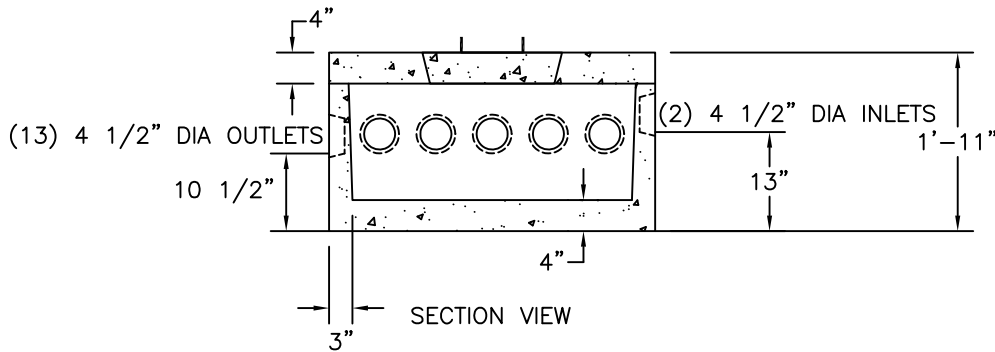


PLAN VIEW



SECTION VIEW

		WEIGHT
ITEM NO.	B-13DBH	1,400#
	B-13DBCH	463#

NOTES:

1. CONCRETE: 4,000 PSI MINIMUM AFTER 28 DAYS.
2. DESIGN CONFORMS WITH 310 CMR 15.000, DEP TITLE 5 REGS, FOR DISTRIBUTION BOXES.
3. DESIGNED FOR H-20 LOADING.



New England's Premier Precaster
 800-696-7432 (SHEA)
 www.sheaconcrete.com

DISTRIBUTION BOX
 13 OUTLET-2 INLETS

773 Salem Street-Wilmington, MA 153 Cranberry Hwy-Rochester, MA
 87 Haverhill Road-Amesbury, MA 160 Old Turnpike Rd-Nottingham, NH
 Mail to: PO Box 520-Wilmington, MA 01887

Page: D5

Db13out-2.dwg

11/26/12

