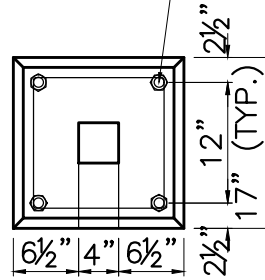
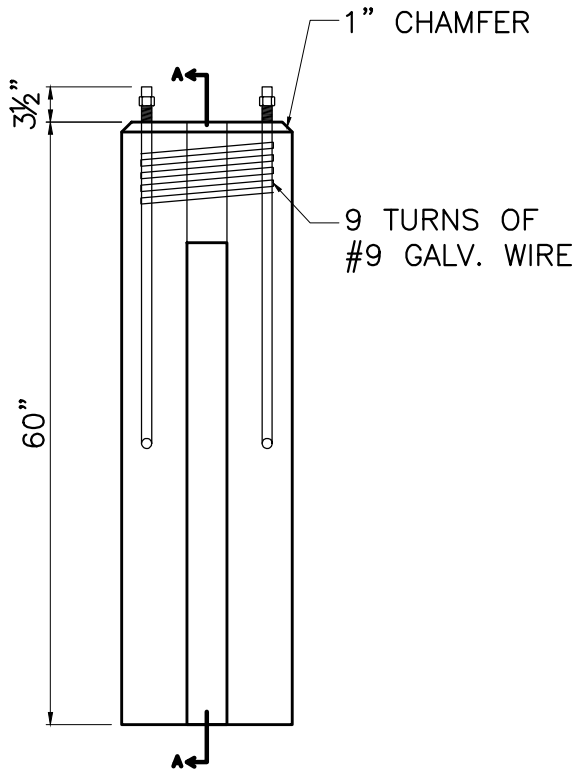


BOSTON STANDARD LIGHT BASE  
 17" SQUARE X 60" TALL

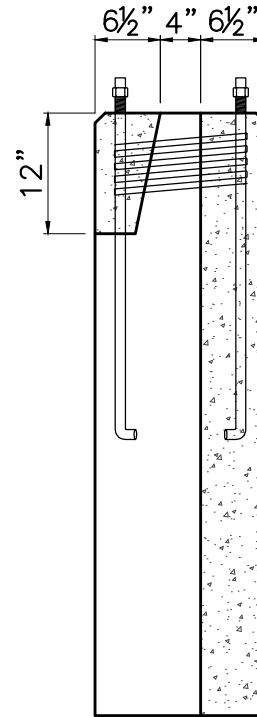
(4) 1"Ø x 36" GALV. STEEL  
 ASTM F1554 GRADE 55 ANCHOR BOLTS  
 w/HEAVY HEX NUTS & WASHERS  
 GALV. PER ASTM A153



PLAN



ELEVATION



SECTION A-A

NOTES:

1. CONCRETE MINIMUM STRENGTH 5,000 PSI AFTER 28 DAYS.

|                  |         |            |             |       |          |
|------------------|---------|------------|-------------|-------|----------|
| SHEA PRODUCT ID: | LPB17SQ | FILE NAME: | BOS STD LPB |       |          |
| WEIGHT (LBS):    | 1455    | DRAWN BY:  | L.P.        | DATE: | 5/9/2018 |
|                  |         |            |             | PAGE: | VIII.A.1 |

