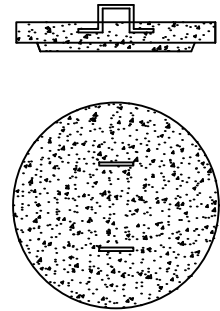
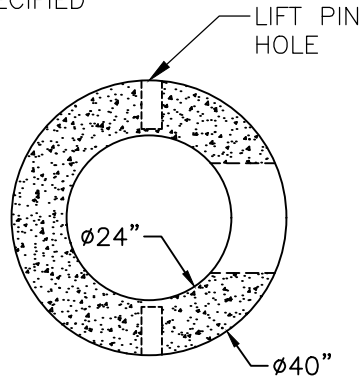
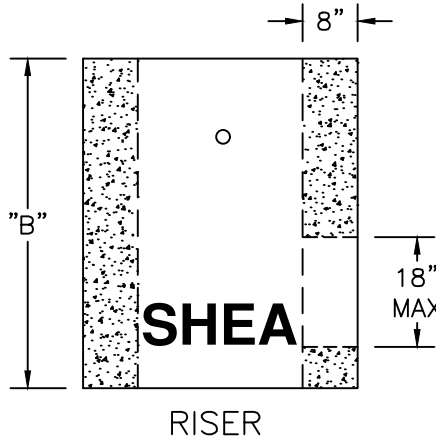


AVAILABLE TOP SLABS
 EST WEIGHT: 640 LBS

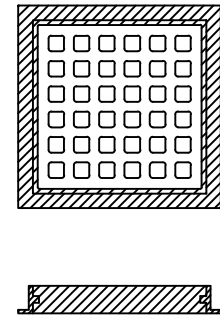


OPTIONAL
 CONCRETE PLUG

RISER WEIGHTS		
ITEM CODE	DIM "B"	EST. WEIGHT
40X12-24	12"	825#
DIR-24X18	18"	1,235#
DIR-24X24	24"	1,645#
DIR-24X30	30"	2,055#
DIR-24X36	36"	2,470#
DIR-24X42	42"	2,880#
DIR-24X48	48"	3,290#
DIR-24X54	54"	3,700#
DIR-24X60	60"	4,115#

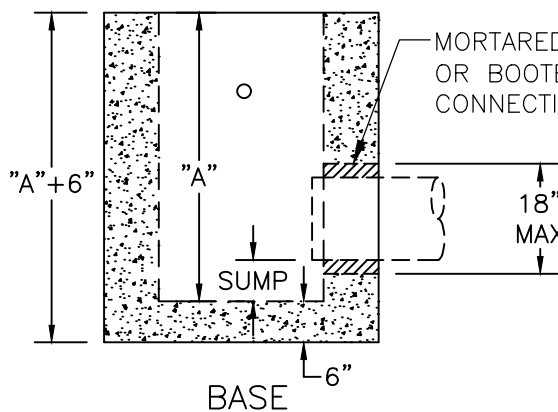


RISER

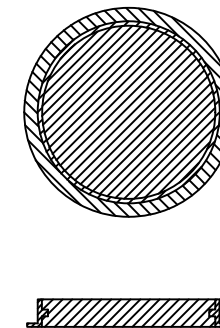


OPTIONAL CAST IRON
 FRAME AND GRATE

SUMP WEIGHTS		
ITEM CODE	DIM "A"	EST. WEIGHT
18SGI	18"	1,880#
24SGI	24"	2,290#
30SGI	30"	2,700#
36SGI	36"	3,110#
42SGI	42"	3,520#
48SGI	48"	3,930#
54SGI	54"	4,343#



BASE



OPTIONAL CAST IRON
 FRAME AND COVER

NOTES:

1. CONCRETE: 4,000 PSI MIN. AFTER 28 DAYS
2. DESIGNED FOR AASHTO HS-20 LOADING
3. SUMP AS REQUIRED