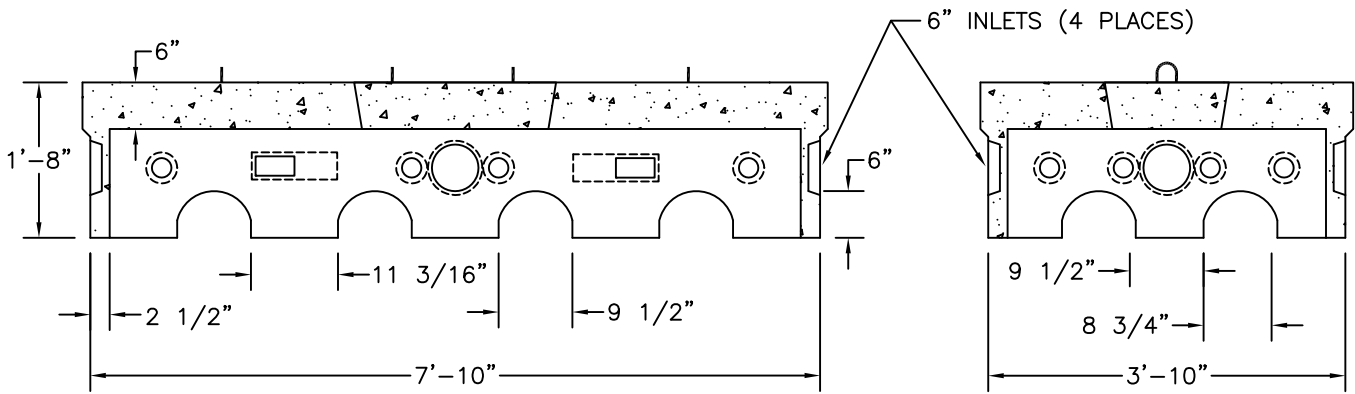


PLAN VIEW



SIDE SECTION VIEW

END SECTION VIEW

ITEM NO. LE-AC	WT=3,111#
----------------	-----------

NOTES:

1. CONCRETE: 4,000 PSI MINIMUM AFTER 28 DAYS.
2. DESIGNED FOR H-20 LOADING.



New England's Premier Precaster
 800-696-7432 (SHEA)
 www.sheaconcrete.com

AMERATION CHAMBER
 H-20

773 Salem Street
 P.O. Box 520
 Wilmington, MA 01887

87 Haverhill Road
 P.O. Box 807
 Amesbury, MA 01913

160 Old Turnpike Road
 Nottingham, NH 03290

Page: E2

Amrchmbr.dwg

1/12/00

