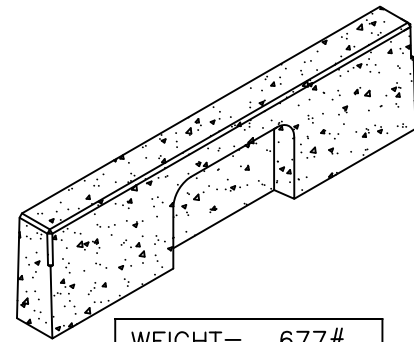
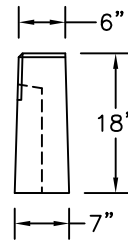
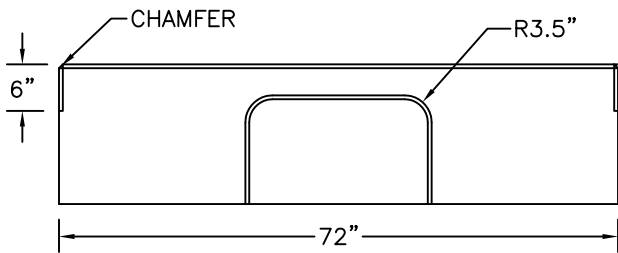
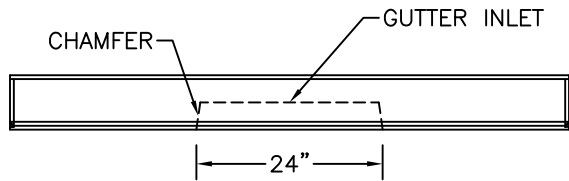


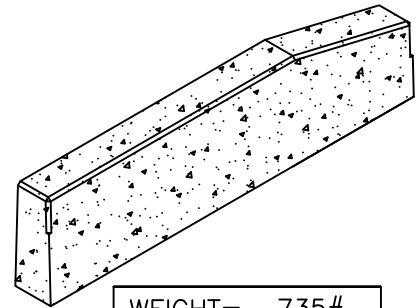
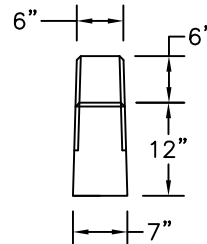
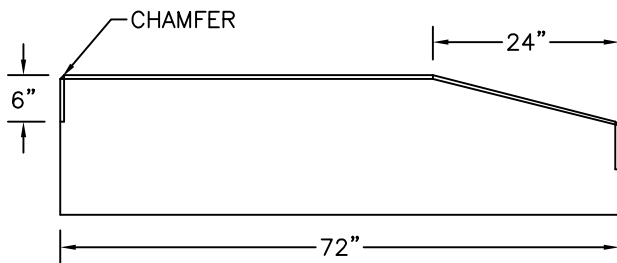
WEIGHT= 778#

6' CURBING – STRAIGHT



WEIGHT= 677#

6' CURBING – GUTTER INLET



WEIGHT= 735#

6' CURBING – 2FT TAPER

NOTES:

1. CONCRETE: 5,000 PSI MINIMUM AFTER 28 DAYS



New England's Premier Precaster  
 800-696-7432 (SHEA)  
 www.sheaconcrete.com

6' CURBING SECTION  
 WITH OPTIONAL GUTTER INLET

773 Salem Street—Wilmington, MA 153 Cranberry Hwy—Rochester, MA  
 87 Haverhill Road—Amesbury, MA 160 Old Turnpike Rd—Nottingham, NH  
 Mail to: PO Box 520—Wilmington, MA 01887

Page: J5.1

6FTCURB.dwg

02/01/2013

