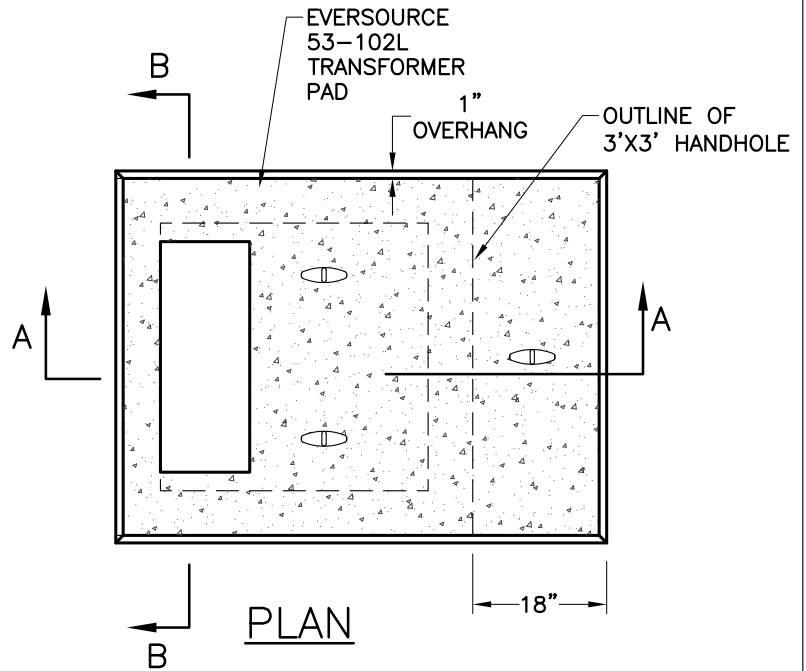
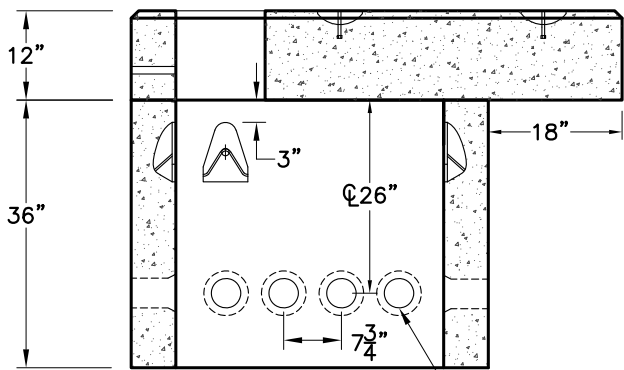


PLAN

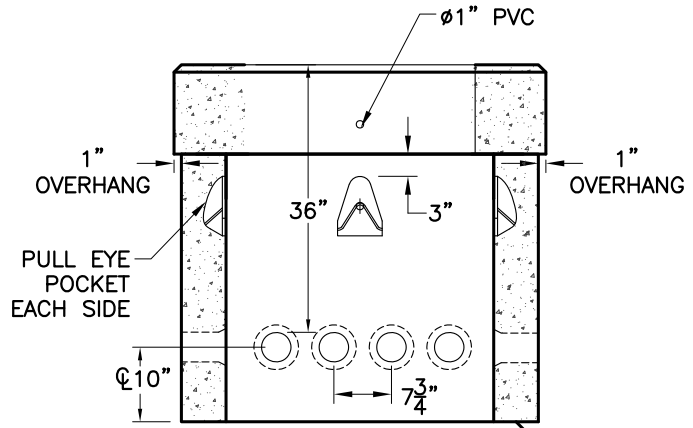


PLAN



SECTION A-A

(4) 4" DUCT TERMINATORS EACH SIDE



SECTION B-B

NOTES:

1. CONCRETE MINIMUM STRENGTH 4,000 PSI AFTER 28 DAYS.
2. REINFORCEMENT STEEL CONFORMS TO ASTM A615 GRADE 60 #6 REBAR.
3. 25 TO 250 KVA
4. MEETS OR EXCEEDS EVERSOURCE SPECIFICATIONS.
- 5 EVERSOURCE MAXIMO PART #621283

WEIGHT

PSNH250TP	3,022 LBS
3X3X3 HH	3,110 LBS



New England's Premier Precaster
 800-696-7432 (SHEA)
 www.sheaconcrete.com

773 Salem Street—Wilmington, MA 153 Cranberry Hwy—Rochester, MA
 87 Haverhill Road—Amesbury, MA 160 Old Turnpike Rd—Nottingham, NH
 Mail to: PO Box 520—Wilmington, MA 01887

EVERSOURCE 53-102L
 TRANSFORMER PAD
 25-250 KVA W/ 3'X3' HANDHOLE

Page:

Drafter: CAM
 Revision: 1
 Date: 12.07.23

DWG: 53-102L TRANSFORMER PAD W PULL BOX

