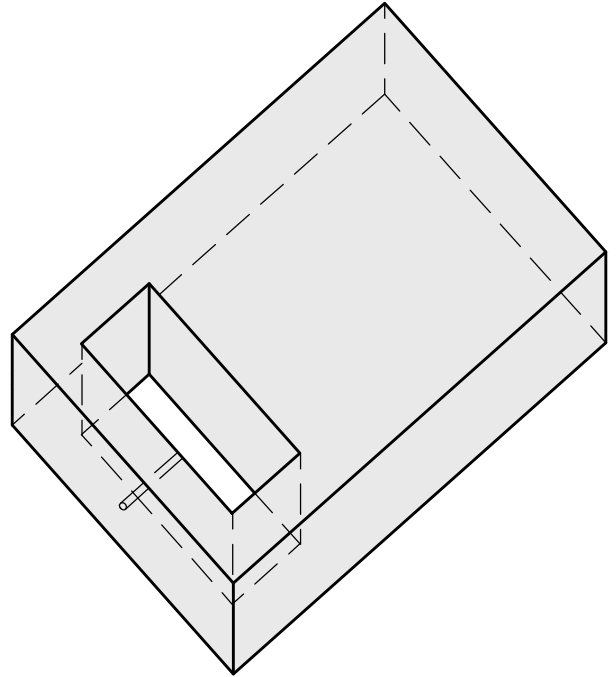
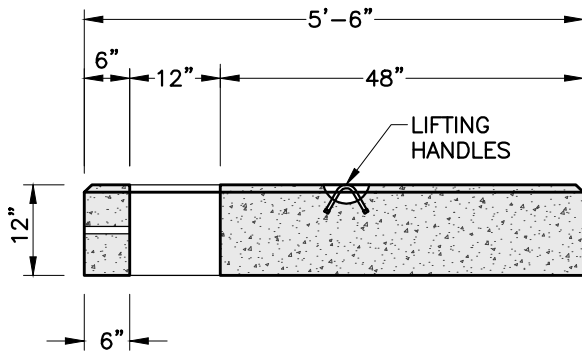


**PLAN**

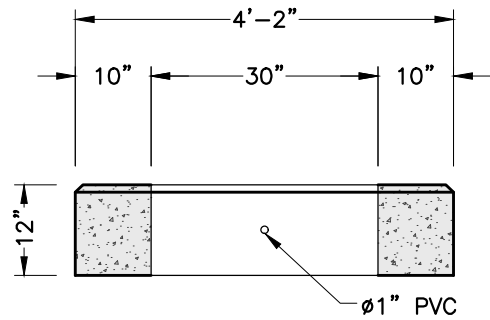


**ISOMETRIC**

N.T.S.



**SECTION A-A**



**SECTION B-B**

**NOTES:**

1. CONCRETE MINIMUM STRENGTH 4,000 PSI AFTER 28 DAYS.
2. REINFORCEMENT STEEL CONFORMS TO ASTM A615 GRADE 60 #6 REBAR.
3. MEETS OR EXCEEDS EVERSOURCE SPECIFICATIONS.

SHEA PRODUCT ID: 100-250 KVA

FILE NAME: ES-NH TP 53-102L

WEIGHT (LBS): 3,022#

DRAWN BY: MNN

DATE: 01/02/2018

PAGE: III.C.2

